

Model  
KUDR24SE

# USE & CARE GUIDE



**KitchenAid®**

*Sculptura®*

## Undercounter Dishwasher

A Note to You .....	2
Understanding Dishwasher Safety .....	3
Parts and Features .....	4
Start Up Guide .....	6
Loading Your Dishwasher .....	8
Washing Special Items .....	12
Using the Dispensers ...	13
Operating Your Dishwasher .....	17
Caring for Your Dishwasher .....	22
Solving Common Dishwashing Problems .....	25
Troubleshooting .....	28
Requesting Assistance or Service .....	30
Index .....	32
Warranty .....	33

In the U.S.A. for  
assistance or service,  
call the Consumer  
Assistance Center:

**1•800•422•1230**

In Canada for assistance or  
service, see page 2.

# A NOTE TO YOU

## Thank you for buying a KITCHENAID\* appliance!

KitchenAid designs the best tools for the most important room in your house. To ensure that you enjoy many years of trouble-free operation, we developed this Use and Care Guide. It contains valuable information concerning how to operate and maintain your new appliance properly and safely. Please read it carefully.

Also, please complete and mail the enclosed Product Registration Card.

### In the U.S.A.

For assistance or service

call the Consumer Assistance Center toll free ..... **1-800-422-1230**

### Throughout Canada for assistance

Call the Consumer Assistance Centre toll free ..... **1-800-461-5681**  
**8:30 a.m. – 6 p.m. (EST)**

**Throughout Canada for service** ..... **see page 31**

If you need assistance or service, first see the "Troubleshooting" section of this book. After checking "Troubleshooting," additional help can be found by checking the "Requesting Assistance or Service" section, or by calling one of the telephone numbers above.

When calling, you will need to know your appliance's complete model number and serial number. You can find this information on the model and serial number label/plate (see diagram in the "Parts and Features" section.)

Keep this book and the sales slip together in a safe place for future reference. You must provide proof of purchase or installation date for in-warranty service.

<b>Model Number</b> _____	<b>Builder/Dealer Name</b> _____
<b>Serial Number</b> _____	<b>Address</b> _____
<b>Date Installed</b> _____	<b>Phone</b> _____

# UNDERSTANDING DISHWASHER SAFE

## Your safety and the safety of others is very important.

We have provided many important safety messages in this manual and on your appliance. Always read and obey all safety messages.



This is the safety alert symbol.

This symbol alerts you to hazards that can kill or hurt you and others.

All safety messages will be preceded by the safety alert symbol and the word "DANGER" or "WARNING." These words mean:

**⚠ DANGER**

You will be killed or seriously injured if you don't follow instructions.

**⚠ WARNING**

You can be killed or seriously injured if you don't follow instructions.

All safety messages will identify the hazard, tell you how to reduce the chance of injury, and tell you what can happen if the instructions are not followed.

## IMPORTANT SAFETY INSTRUCTIONS

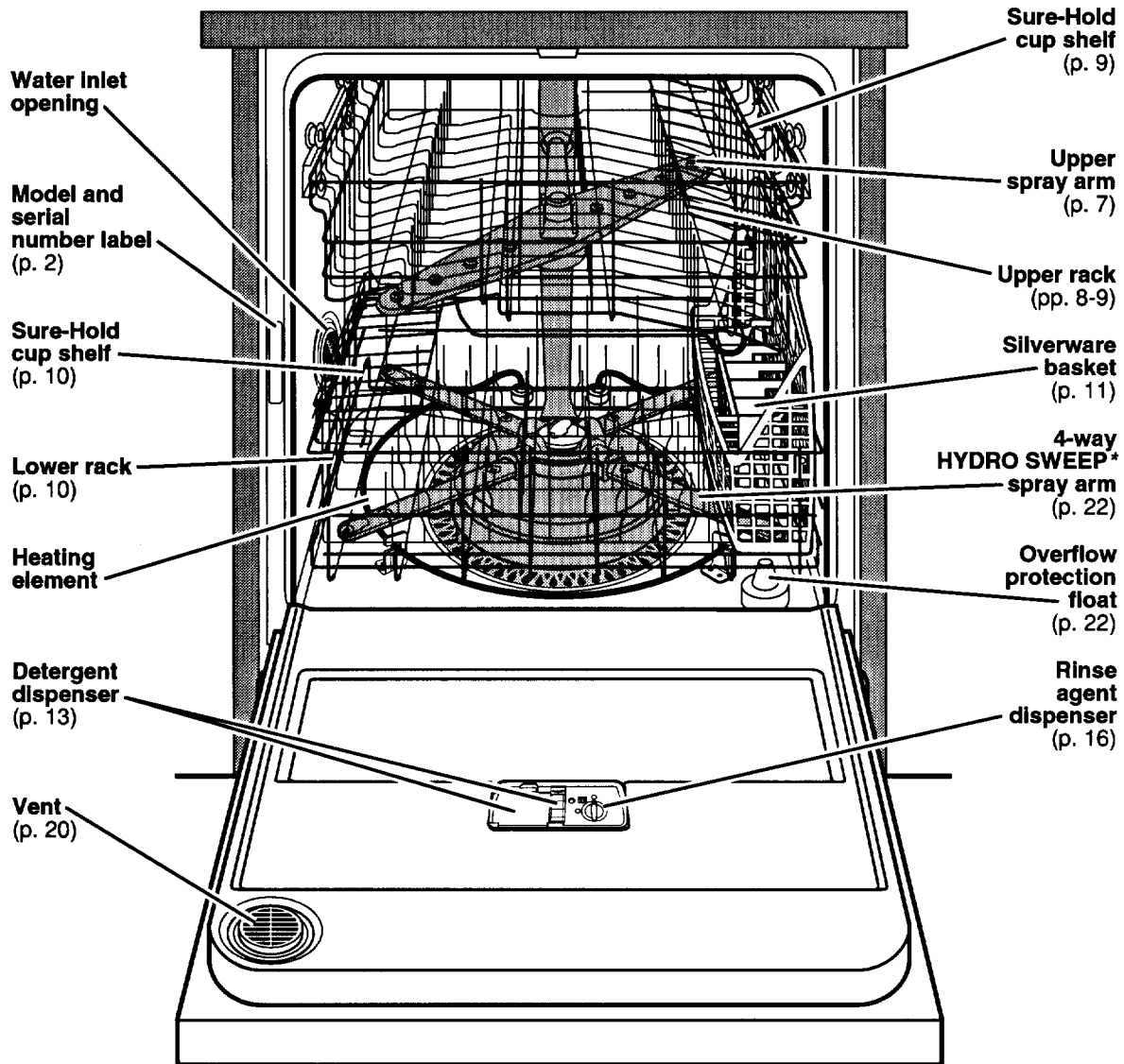
**WARNING** – When using the dishwasher, follow basic precautions, including the following:

- Read all instructions before using the dishwasher.
- Use the dishwasher only for its intended function.
- Use only detergents or rinse agents recommended for use in the dishwasher, and keep them out of the reach of children.
- When loading items to be washed:
  - 1) Locate sharp items so that they are not likely to damage the door seal; and
  - 2) Load sharp knives with the handles up to reduce the risk of cut-type injuries.
- Do not wash plastic items unless they are marked "dishwasher safe" or the equivalent. For plastic items not so marked, check the manufacturer's recommendations.
- Do not touch the heating element during or immediately after use.
- Do not operate the dishwasher unless all enclosure panels are properly in place.
- Do not tamper with controls.
- Do not abuse, sit on, or stand on the door or dish racks of the dishwasher.
- To reduce the risk of injury, do not allow children to play in or on the dishwasher.
- Under certain conditions, hydrogen gas may be produced in a hot water system that has not been used for two weeks or more. **HYDROGEN GAS IS EXPLOSIVE.** If the hot water system has not been used for such a period, before using the dishwasher turn on all hot water faucets and let the water flow from each for several minutes. This will release any accumulated hydrogen gas. As the gas is flammable, do not smoke or use an open flame during this time.
- Remove the door to the washing compartment when removing an old dishwasher from service or discarding it.

**– SAVE THESE INSTRUCTIONS –**

# PARTS AND FEATURES

Below is an illustration of your appliance with the parts and features called out. To help you find information on specific parts or features quickly, page references are included.



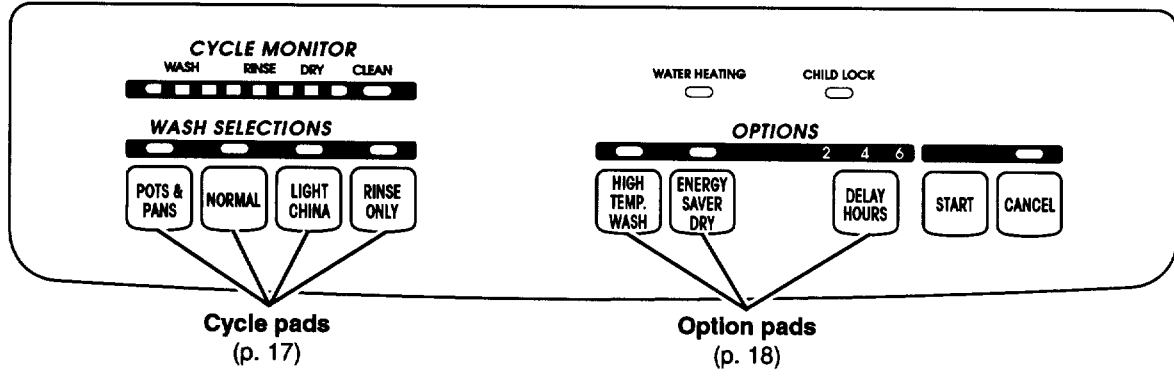
## Other features:

Stemware holders (p. 9)

Sure-Hold clips (p. 9)

# PARTS AND FEATURES

## Control panel



# START UP GUIDE

## Before using your dishwasher

### ⚠ WARNING



#### Tip Over Hazard

**Do not use dishwasher until completely installed.**

**Do not push down on open door.**

**Doing so can result in serious injury or cuts.**

- Install where dishwasher is protected from the elements. Protect against freezing to avoid possible rupture of fill valve. Such ruptures are not covered by the warranty. See "Storing your dishwasher" in the "Caring for Your Dishwasher" section for winter storage information.
- Install and level dishwasher on a floor that will hold the weight, and in an area suitable for its size and use.

### ⚠ WARNING



#### Electrical Shock Hazard

**Electrically ground dishwasher.**

**Connect ground wire to green ground connector in terminal box.**

**Do not use an extension cord.**

**Failure to do so can result in death, fire, or electrical shock.**

- Remove all shipping plugs from hoses and connectors (such as the cap on the drain outlet) before installing. See Installation Instructions for complete information.

## GROUNDING INSTRUCTIONS

- For a grounded, cord-connected dishwasher:

The dishwasher must be grounded. In the event of a malfunction or breakdown, grounding will reduce the risk of electric shock by providing a path of least resistance for electric current. The dishwasher is equipped with a cord having an equipment-grounding conductor and a grounding plug. The plug must be plugged into an appropriate outlet that is installed and grounded in accordance with all local codes and ordinances.

**WARNING** – Improper connection of the equipment-grounding conductor can result in a risk of electric shock. Check

with a qualified electrician or service representative if you are in doubt whether the dishwasher is properly grounded. Do not modify the plug provided with the dishwasher; if it will not fit the outlet, have a proper outlet installed by a qualified electrician.

- For a permanently connected dishwasher:

The dishwasher must be connected to a grounded metal, permanent wiring system, or an equipment-grounding conductor must be run with the circuit conductors and connected to the equipment-grounding terminal or lead on the dishwasher.

**– SAVE THESE INSTRUCTIONS –**

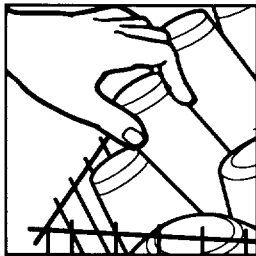
# START UP GUIDE

Using your new KITCHENAID® dishwasher is simple. Follow the steps below to get started. For more information on specific steps and additional safety information, see the page(s) next to the step you would like to know more about.

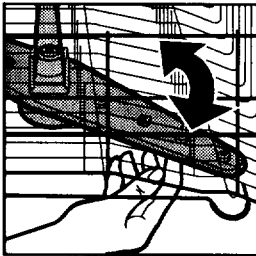
**NOTE:** Before using your dishwasher, remove all hang tags, temporary labels, and packaging materials. Please also read the entire Use and Care Guide as it contains important operating and safety information.

## How to use your dishwasher

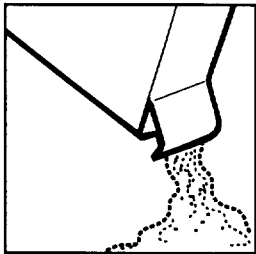
1. Load the dishwasher. See pages 8-11.



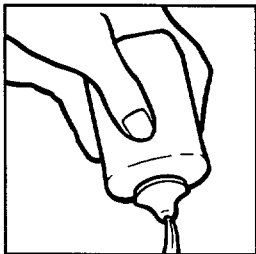
2. Spin the upper spray arm. It should turn freely. Check the lower spray arm also to make sure it turns freely.



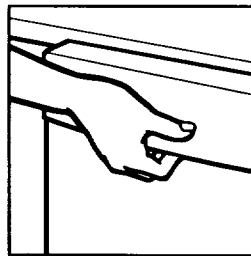
3. Add detergent. See pages 13-15.



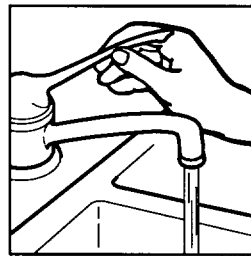
4. Add rinse agent if needed. See page 16.



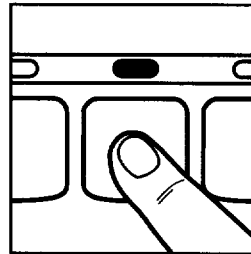
5. Push door firmly when closing.



6. Run hot water at sink nearest dishwasher until water is hot. Turn off water. See page 21.

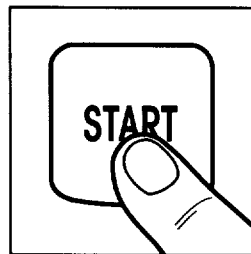


7. Press the desired Wash Selection pad.



See the "Cycle selection chart" on page 17. Then press the desired Option(s) pad(s). See page 18 for "Option selections."

8. Press the Start pad. The cycle will begin (if Delay Hours has not been selected). **NOTE:** The dishwasher remembers the last cycle and option(s) that were completed. You only have to press the Start pad if you want to use the same cycle and option(s). However, if the last cycle you completed was Rinse Only, the dishwasher will run the Normal cycle if you press the Start pad.



# LOADING YOUR DISHWASHER

This section tells you how to properly load your dishwasher for the best washing and rinsing results.

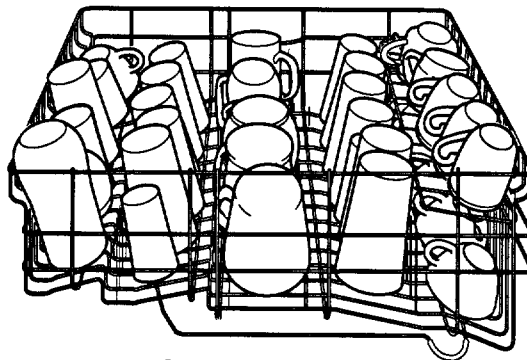
## Preparing to load the dishwasher

- Scrape leftover food, bones, toothpicks, and other hard items from dishes. It is not necessary to rinse dishes before putting them into the dishwasher.
- Load dishes so soiled surfaces face the spray (down or inward). It is important for the water spray to reach all soiled surfaces.
- Take care when loading heavy pots or pans into the dishwasher. They can dent the stainless steel interior of the door if they are dropped or bumped.
- Make sure pot lids and handles, pizza pans, cookie sheets, etc., do not interfere with the spray arm rotation.
- Run a Rinse Only cycle to keep dishes moist if you do not plan to wash them soon. Foods like eggs, rice, pasta, spinach, and cooked cereals may be hard to remove if they are left to dry.

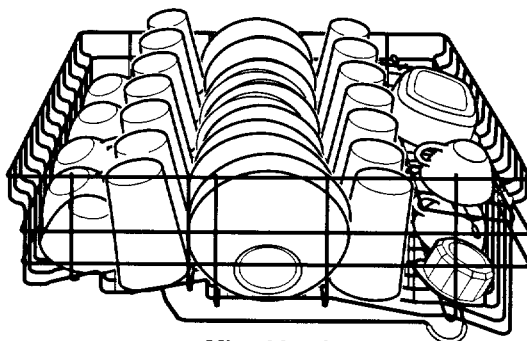
## Loading the upper rack

The upper rack is designed for cups, glasses, and other small items.

- Load cups and glasses in the upper rack only, in the rows between the prongs. Placing them over the prongs can cause them to chip or break.
- China, crystal, and other delicate items must not touch each other during dishwasher operation. Damage may occur.
- Place items so open ends face down for best cleaning and draining.
- Load plastic items securely in the upper rack only. Wash only plastic items marked "dishwasher safe."
- Secure lightweight items so they don't overturn during washing. Wedge lightweight items against one another or overlap them with heavier dishes. (See next page for information on using the Sure-Hold clips.)
- Load bowls in the center section for best stability.
- Racks with teal-colored tips can be adjusted for different loads.



Cup and glass load



Mixed load

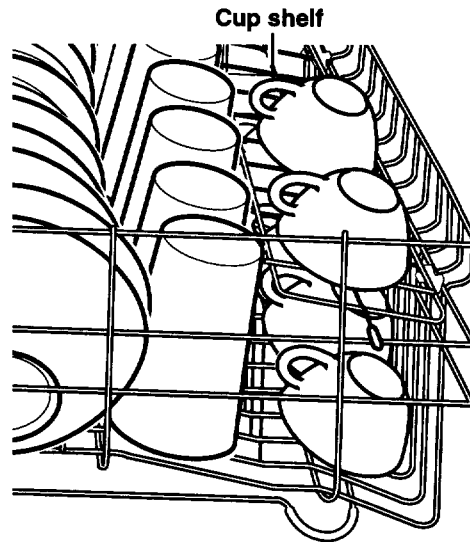


# LOADING YOUR DISHWASHER

## Loading the upper rack (cont.)

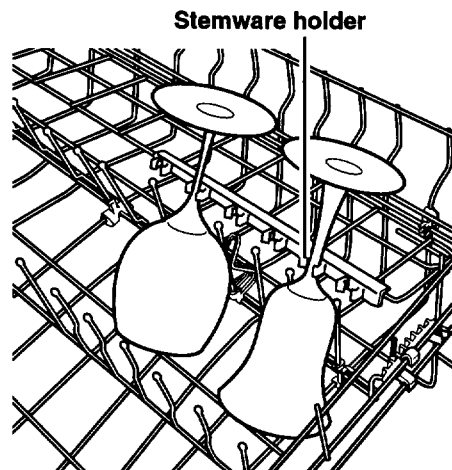
### Sure-Hold cup shelf

Fold down the extra shelf on the top rack to hold additional cups and glasses or small items like long utensils and spatulas.



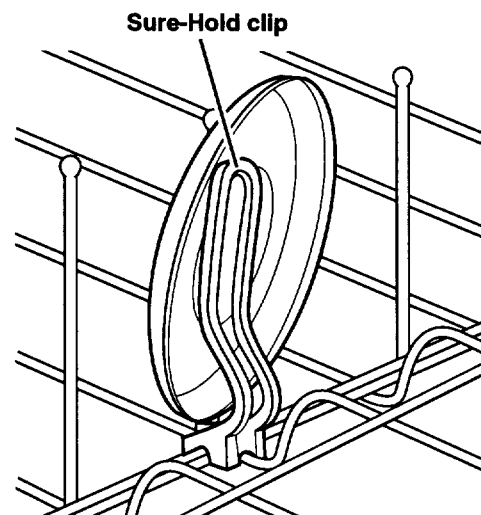
### Stemware holders

Use the stemware holders (attached to the cup shelf) to keep water goblets, wine glasses, etc., in place and prevent damage during washing.



### Sure-Hold clips

The Sure-Hold clips hold lightweight plastic items like cups, lids, or bowls in place during washing. Move a clip anywhere in the rack by pulling it up and off the tine and repositioning it in another tine.

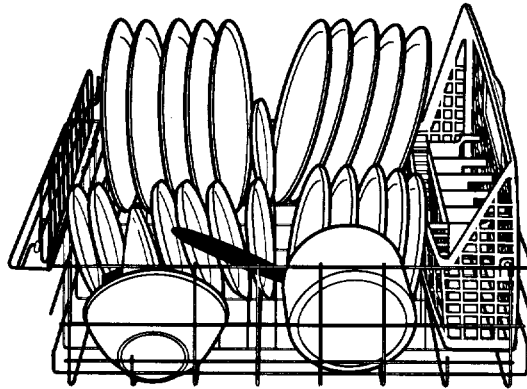


# LOADING YOUR DISHWASHER

## Loading the lower rack

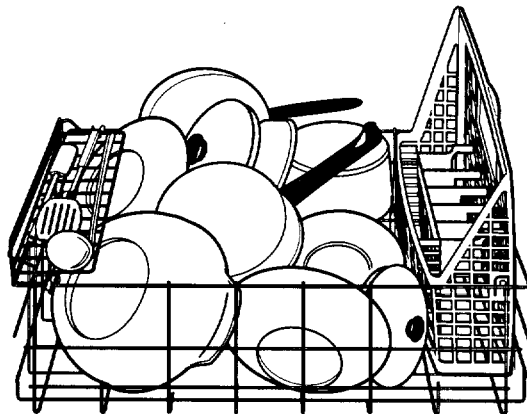
The lower rack is designed for plates, pans, casseroles, and utensils.

- Load items with cooked-on or dried-on food in the lower rack with soiled surfaces facing in toward the spray.
- For maximum capacity and stability of an all plate load, stagger or overlap small plates with large ones.
- Load plates side to side along with pots, pans, and large cookware, as shown.
- Racks with teal-colored tips can be adjusted for different loads.



Mixed load

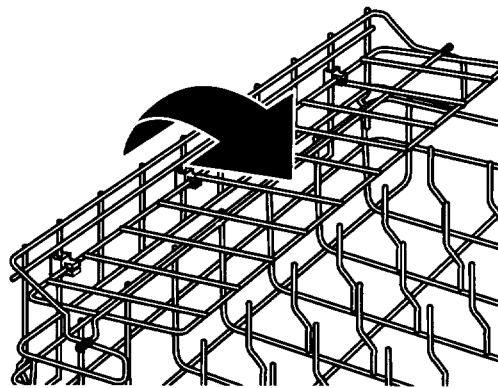
- Load soup, cereal, and serving bowls in the rack in a variety of ways depending upon their size and shape. Load bowls securely between the rows of prongs. Do not nest bowls because the spray won't reach their surfaces.
- Do not put small items in the lower rack if they are not secured in place.
- Do not load items between the bottom rack and the side of the dishwasher tub. This can block the water inlet opening.



Utensil load

### Sure-Hold cup shelf

Fold down the extra shelf on the left side of the lower rack to hold small items such as cups or utensils.



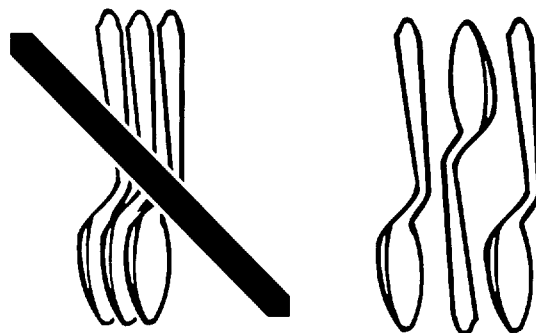
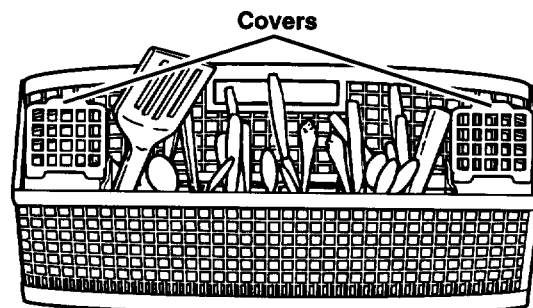
# LOADING YOUR DISHWASHER

## Loading the silverware basket

- Load the silverware basket while it is in the lower rack or take the basket out for loading on a counter or table.
- Mix items in each section of the basket – some pointing up and some down.  
**IMPORTANT:** Always load sharp items (knives, skewers, forks, etc.) pointing down.
- Place small items like baby bottle caps, jar lids, corn cob holders, etc., in the end sections with the hinged covers. Close the covers over the sections to hold small items in place.
- Load forks and spoons so they don't nest together. Water spray cannot reach nested items.
- The silverware basket can also be removed for easy unloading. Unload or remove the basket before unloading the upper rack to avoid spilling water droplets on the silverware.

### NOTES:

- Don't load silver or silver-plated silverware with stainless steel. These metals can be damaged by contact with one another during washing.
- Some foods (such as salt, vinegar, milk products, fruit juices, etc.) can pit or corrode silverware if left on for long periods of time. Use the Rinse Only cycle when silverware is not washed immediately after use.



# WASHING SPECIAL ITEMS

If you have any doubts about washing a particular item, check with the manufacturer to see if it is dishwasher safe.

<b>MATERIAL</b>	<b>DISHWASHER SAFE?</b>	<b>EXCEPTIONS/SPECIAL INFORMATION</b>
<b>Aluminum</b>	<b>Yes</b>	High water temperature and detergents may affect finish of anodized aluminum. All aluminum will darken when washed in the dishwasher. This does not affect pan performance.
<b>Disposable Aluminum</b>	<b>No</b>	Do not wash throw-away aluminum pans in the dishwasher. These might shift during washing and transfer black marks to dishes and other items.
<b>Bottles and Cans</b>	<b>No</b>	Wash bottles and cans by hand. Labels attached with glue can loosen in your dishwasher, clog spray arms or the pump, and will reduce washing performance.
<b>Cast Iron</b>	<b>No</b>	Seasoning will be removed and iron will rust.
<b>China/ Stoneware</b>	<b>Yes</b>	Always check manufacturer's recommendations before washing. Antique, hand-painted, or over-the-glaze patterns may fade. Gold leaf can discolor or fade.
<b>Crystal</b>	<b>Yes</b>	Always check manufacturer's recommendations before washing. Some types of leaded crystal can etch with repeated washings.
<b>Gold</b>	<b>No</b>	Gold-colored flatware will discolor.
<b>Glass</b>	<b>Yes</b>	Milk glass will yellow with repeated washings.
<b>Hollow-Handle Knives</b>	<b>No</b>	Handles of some knives are attached to the blade with adhesives which may loosen if washed in the dishwasher.
<b>Pewter, Brass, and Bronze</b>	<b>No</b>	High water temperatures and detergent can discolor or pit finish.
<b>Plastics</b>	<b>Yes</b>	Always check manufacturer's recommendations before washing. Plastics vary in their capacity to withstand high water temperatures and detergents. Load plastics in top rack only.
<b>Disposable Plastics</b>	<b>No</b>	Cannot withstand high water temperatures and detergents.
<b>Stainless Steel</b>	<b>Yes</b>	Run a Rinse Only cycle if not washing immediately. Prolonged contact with food containing salt, vinegar, milk products, or fruit juice could damage finish.
<b>Sterling Silver or Silver Plate</b>	<b>Yes</b>	Run a Rinse Only cycle if not washing immediately. Prolonged contact with food containing salt, acid, or sulfide (eggs, mayonnaise, and seafood) can damage finish.
<b>Tin</b>	<b>No</b>	Can rust.
<b>Wooden Ware</b>	<b>No</b>	Wash by hand. Always check manufacturer's recommendations before washing. Untreated wood can warp, crack, or lose its finish.

# USING THE DISPENSERS

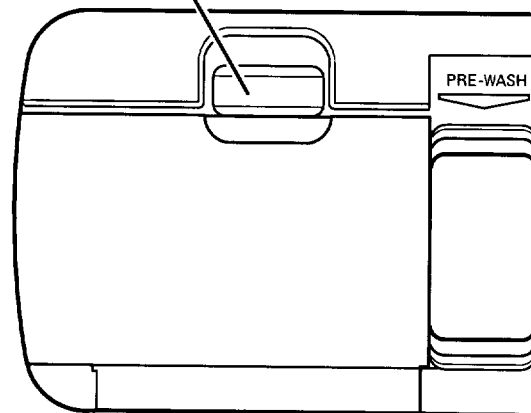
For best washing results, it is important to use the correct amount of detergent and a rinse agent. Read this section for information on using both properly.

## The detergent dispenser

The detergent dispenser has 2 sections. The smaller Pre-Wash section empties detergent into the dishwasher when you close the door. The larger Main Wash section empties detergent into the dishwasher during the wash cycle.

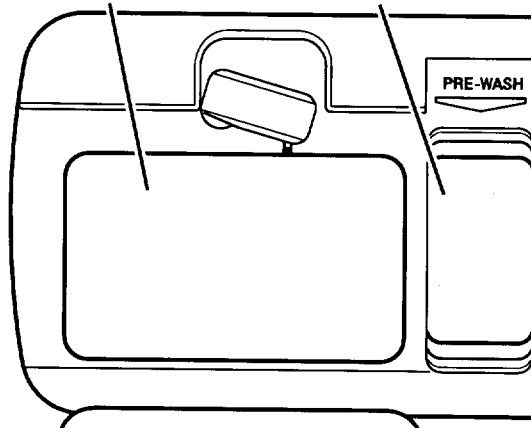
1. If the dispenser cover is closed, open the cover by rotating the blue button.

Rotate blue button to open



2. Fill the Main Wash section with detergent. The amount of detergent needed depends on the amount of food soil on the dishes and water hardness. See the detergent usage chart later in this section.
3. Close the dispenser cover and fill the Pre-Wash section.

Main Wash section      Pre-Wash section



**NOTE:** Do not use detergent with the Rinse Only cycle.

# USING THE DISPENSERS

## Using the detergent dispenser

<p><b>What type of detergent to use</b></p> <ul style="list-style-type: none"> <li>• Use automatic dishwasher detergent only.</li> </ul> <p><b>NOTE:</b> Never use soap, hand-dishwashing detergent, or laundry detergent. These products will produce excessive suds which could cause flooding and reduce washing performance.</p> <ul style="list-style-type: none"> <li>• Follow manufacturer's instructions when using powdered, liquid, or gel dishwasher detergents. Concentrated (Ultra) powdered detergents usually call for lower usage than do standard powdered detergents.</li> </ul>	<ul style="list-style-type: none"> <li>• Add detergent to the dispenser just before starting the dishwasher.</li> <li>• Keep detergent container tightly closed in a cool, dry place, out of the reach of children. After opening, a box of detergent should stay fresh for about one month. Detergent exposed to moisture over a period of time might become caked and ineffective.</li> </ul>
--	---

## How much detergent to use

WATER HARDNESS	AMOUNT OF DETERGENT
<p><b>Soft to Medium Hard Water</b> 0 to 6 grains per gallon</p>	<p><b>For normal loads:</b></p> <ul style="list-style-type: none"> <li>• Partially fill the Main Wash section (2 tablespoons or 30 grams)</li> <li>• Fill the Pre-Wash section (2 tablespoons or 30 grams)</li> </ul> <p><b>NOTE:</b> Add only 1 tablespoon or 15 grams of detergent to the Pre-Wash section if dishes are prerinse or water is very soft.</p> <p><b>For heavily soiled loads:</b></p> <ul style="list-style-type: none"> <li>• Fill the Main Wash section (3 tablespoons or 45 grams)</li> <li>• Fill the Pre-Wash section (2 tablespoons or 30 grams)</li> </ul>
<p><b>Medium to Hard Water</b> 7 to 12 grains per gallon</p>	<p><b>For normal and heavily soiled loads:</b></p> <ul style="list-style-type: none"> <li>• Fill the Main Wash section (3 tablespoons or 45 grams)</li> <li>• Fill the Pre-Wash section (2 tablespoons or 30 grams)</li> </ul>
<p><b>Very Hard Water</b> 13 grains and above</p>	<p><b>For normal loads:</b></p> <ul style="list-style-type: none"> <li>• Fill the Main Wash section (3 tablespoons or 45 grams)</li> <li>• Fill the Pre-Wash section (2 tablespoons or 30 grams)</li> <li>• Turn the rinse agent dispenser to a higher setting. See "Using the rinse agent dispenser" later in this section.</li> </ul> <p><b>NOTE:</b> Under abnormal water hardness conditions (13 grains and above), it may be necessary to use the Light China cycle for best wash performance.</p>

# USING THE DISPENSERS

## How much detergent to use (cont.)

### WATER HARDNESS

### AMOUNT OF DETERGENT

#### Very Hard Water

13 grains and above (cont.)

#### For heavily soiled loads:

- Fill the Main Wash section (3 tablespoons or 45 grams)
- Fill the Pre-Wash section (2 tablespoons or 30 grams)
- Turn the rinse agent dispenser to a higher setting. See "Using the rinse agent dispenser" later in this section.

**NOTE:** Under abnormal water hardness conditions (13 grains and above), it may be necessary to use the Pots & Pans cycle for best wash performance.

Different brands of dishwasher detergent have different amounts of phosphorus for softening water. If you have hard water and use a detergent with a phosphorous content of less than 8.7%, you may need to use more detergent, or use a detergent with a phosphorous content higher than 8.7%.

- Excessive amounts of detergent combined with soft water may cause etching of glassware.

**NOTE:** Water hardness may change over a period of time. Contact your local water utility or area water softening company to determine your water hardness, or order water hardness test strip Part Number 4171690 through the Consumer Assistance Center.

# USING THE DISPENSERS

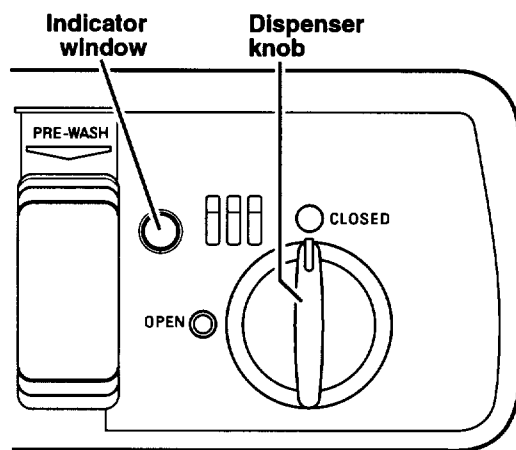
## Using the rinse agent dispenser

A rinse agent prevents water from forming droplets that can dry as spots or streaks. It also improves drying by allowing water to drain off of the dishes during the final rinse by releasing a small amount of the rinse agent into the rinse water. Your dishwasher is designed to use a liquid rinse agent. Do not use a solid or bar-type rinse agent.

### Filling the dispenser

The rinse agent dispenser holds 5.2 fluid ounces (153.7 mL) of rinse agent. Under normal conditions, this will last for about three months. You do not have to wait until the dispenser is empty to refill it. **Try to keep it full, but be careful not to overfill it.**

1. Make sure the dishwasher door is fully open.
2. Turn the dispenser knob to Open and lift it out.
3. Add rinse agent until the indicator window looks full. If you overfill, the excess rinse agent may overflow the dispenser and cause oversudsing during the wash cycle.
4. Clean up any spilled rinse agent with a damp cloth.
5. Replace the dispenser knob and turn it to Closed.

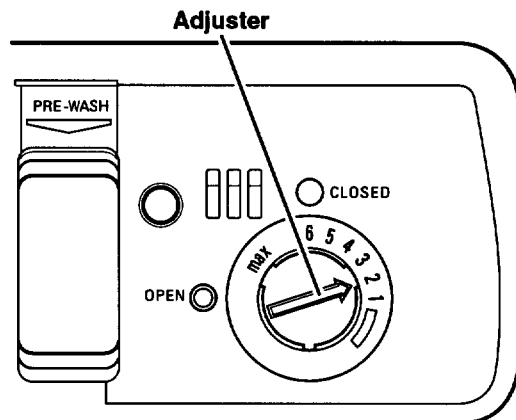


### Rinse agent setting

The amount of rinse agent released into the final wash can be adjusted. The factory setting is at 2. For most water conditions set the adjuster to 1 or 2. If there are rings or calcium (hard water) spots on dishes, try a higher setting (4, 5, or 6).

#### To adjust setting

Remove the dispenser knob, then turn the adjuster inside the dispenser to the desired setting.





# OPERATING YOUR DISHWASHER

This section tells you how to operate the dishwasher. Operating your dishwasher properly enables you to obtain the best possible results.

## Cycle selection chart

The dishwasher will wash and dry dishes according to the selections you make on the control panel. The dishwasher remembers the last cycle and option(s) that were completed. You only have to press the Start pad if you want to use the same cycle and option(s). However, if the last cycle you completed was Rinse Only, the dishwasher will run the Normal cycle if you press the Start pad.

CYCLE	A "✓" shows what steps are in each cycle.								Time (minutes)	Water Usage (gallons/liters)
	Pre-Wash	Rinse	Main Wash	Rinse	†† Purge	Rinse	Dry			
<b>POTS &amp; PANS</b>	✓	✓	✓	✓		✓	✓	88†	11.0/41	
Use this cycle for hard-to-clean, heavily soiled pots, pans, casseroles, regular tableware, and harder than normal water conditions.										
<b>NORMAL</b>	✓		✓		✓	✓	✓	75†	7.0/26	
Use this cycle for loads with moderate amounts of food soil. (The energy usage label is based on this cycle.)										
<b>LIGHT CHINA</b>	✓		✓	✓		✓	✓	65†	8.8/33	
Use this cycle for china, crystal, and other delicate items.										
<b>RINSE ONLY</b>	✓							7.5	2.2/8	
Use this cycle for rinsing dishes, glasses, and silverware that will not be washed right away. • Do not use detergent with the Rinse Only cycle.										

† Expect longer cycle times if water entering the dishwasher is not hot enough.

†† A small amount of water is run through the pump to remove soil particles between the main wash and final rinse.

# OPERATING YOUR DISHWASHER

## Canceling a cycle

You can cancel a cycle anytime during the cycle.

1. Press the Cancel pad once, then wait.



The Cancel light will glow. There is a 5-second pause between the time Cancel is pressed and draining begins.

2. Let the dishwasher drain completely.

## Option selections

Press a pad to select an option. If you change your mind, press the pad again to turn the option off. To select a different option, press another pad.

### High Temp. Wash

Select this option, and water will heat during the main wash for better cleaning of heavily soiled dishes. Water heating is automatic in the wash portions and final rinse of the Pots & Pans cycle, and in the final rinse of the Normal and Light China cycles.



### Energy Saver Dry

Use this option to air dry dishes without heat.

For best results, keep the rinse agent dispenser filled. Under certain conditions (hard water, empty rinse agent dispenser, plastic items in the load, etc.) you might find some water left on plastics, dishes, and silverware.



### Delay Hours

The Delay Hours light glows when the dishwasher has been set for a delayed start. The delay light will turn off when the cycle starts. See "Setting a delay start" later in this section.



## Control panel lights

The Cycle Monitor allows you to see what portion of a cycle your dishwasher is in. The Clean light glows when a cycle has finished. All other lights will turn off. The Clean light will turn off when you open the door.



### Water Heating Light

The Water Heating light glows while water in the dishwasher is heating. Wash or rinse action continues while the water heats.



# OPERATING YOUR DISHWASHER

## Using child lock

### Child Lock Light

Use Child Lock to prevent your dishwasher from being turned on accidentally. No wash selections or options can be selected when Child Lock is on, and the dishwasher will not start.

**CHILD LOCK**



**NOTE:** You will still be able to open the dishwasher door.

### To turn Child Lock on

Press Energy Saver Dry for 5 seconds.



The Child Lock light will glow for 30 seconds. All other lights will be off. The Child Lock light will turn back on for 30 seconds if any pad is pressed during this time.

### To turn Child Lock off

Press Energy Saver Dry again for 5 seconds. The Child Lock light will turn off.

## Changing a setting

### During the first 2 minutes of a cycle

Press new Wash Selection and Option pads.

### After the first 2 minutes of a cycle

1. Press the Cancel pad to drain any water and to reset the control.

**CANCEL**

2. Open the door and check the detergent dispenser to be sure it is properly filled for the new cycle.
3. Close the door.
4. Press new Wash Selection and Option pads, then press the Start pad.

**NOTE:** If the dishwasher will not start, make sure Delay Hours has not been selected.

## Adding dishes during a cycle

You can add an item to the dishwasher during the first 10 minutes of the cycle.

1. Unlatch the door to stop the cycle. Wait a few seconds for the spray action to stop before opening the door.

2. Open the door and add the dishes.
3. Close the door.
4. The dishwasher will start automatically after a 5-second pause when you close the door.

# OPERATING YOUR DISHWASHER

## Setting a delay start

To run your dishwasher at a later time or during off-peak hours, you can delay the start of a cycle for 2, 4, or 6 hours. To delay the start, follow these steps:



**Example for delayed Normal cycle with Energy Saver Dry**

1. Press a Wash Selection pad for the desired cycle. See the "Cycle selection chart" earlier in this section for cycle descriptions.
2. Press a pad to select an option. If you change your mind, press the pad again to turn the option off. To select a different option, press another pad. See "Option selections" earlier in this section.

3. Press the Delay Hours pad once for a 2-hour delay start, twice for 4 hours, or three times for 6 hours, then press the Start pad.

The number above the Delay Hours pad will glow and the dishwasher will start the cycle in the amount of hours you have selected.

4. To turn Delay Hours off, press the pad until no number is lit above the pad.

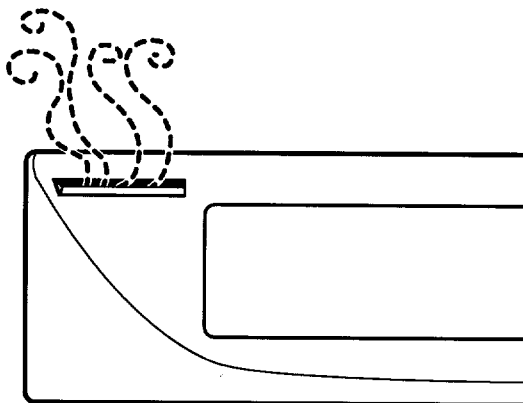
### **IMPORTANT:**

- Operate your dishwasher only when you are at home.
- If your home is equipped with a water softener, make sure the dishwasher is not timed to start during regeneration of the softener.

## Drying system

During drying, vapor escapes through the vent at the upper left corner of the door. This is normal. The vapor is the result of moisture in the dishwasher being removed during drying.

**IMPORTANT:** The vapor is hot. Do not touch the vent during drying.



# OPERATING YOUR DISHWASHER

## Quiet operating tips

To avoid thumping and clattering noises during operation:

- Make sure lightweight load items are secured in the rack.
- Make sure pot lids and handles, pizza pans, cookie sheets, etc., do not touch the dishwasher sides or interfere with the spray arm rotation.

- Where possible, load items so they **do not** touch one another.

**NOTE:** Keep sink drain plugs inserted during dishwasher operation to prevent noise transfer through drains.

## Normal operating sounds

Some normal sounds you might hear while the dishwasher is running:

- The fill valve opening or closing and the sound of water entering the dishwasher.
- Items being ground up in the food disposer.
- Wash/rinse action of water spray. To minimize noise of water circulating on dishes, see the "Loading Your Dishwasher" section.

- Water being pumped out during drain portion of a cycle.
- Detergent cup opening.
- Pump motor starting.

## Energy saving tips

- Set your home water heater to provide a minimum of 120°F (49°C) incoming water to the dishwasher.

### To check water temperature:

1. Run hot water at the faucet closest to your dishwasher. Set a cup under the faucet and place a candy or meat thermometer in it.
2. Run hot water for at least one minute into the cup, allowing the water to overflow. Check the temperature. If the water temperature is below 120°F (49°C), have a qualified person raise the thermostat setting on your water heater.



- Run the dishwasher only with a full load.
- Use only the cycle and options that you need.
- Run the dishwasher during off-peak hours if your utility company offers reduced rates on electricity during specific times of day.
- Run the dishwasher at night during the summer to reduce daytime heat buildup in your home.
- Do not rinse dishes before loading.
- Use the Energy Saver Dry option.

# CARING FOR YOUR DISHWASHER

Your new dishwasher is designed to give you many years of dependable service. However, there are a few things you are expected to do to maintain your dishwasher properly. This section tells you how to clean and care for your dishwasher.

## HYDRO SWEEP\* wash system

The HYDRO SWEEP Wash System in your dishwasher provides excellent cleaning results. The wash water is continuously filtered by a triple filtration and soil collector system to prevent food particles from redepositing on clean dishes.

### The filter

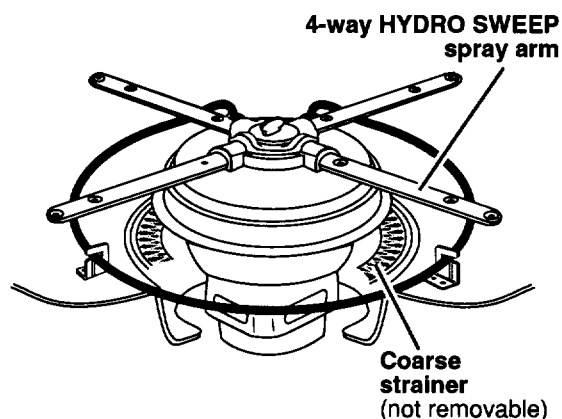
The filter continuously filters the wash water and traps the food particles that have been removed from the dishes. A small amount of water will always remain under the filter to keep the pump seal moist.

### The water jets

The food particles are removed from the Ultra-Fine filter by 2 water jets that are located underneath the 4-way HYDRO SWEEP spray arm.

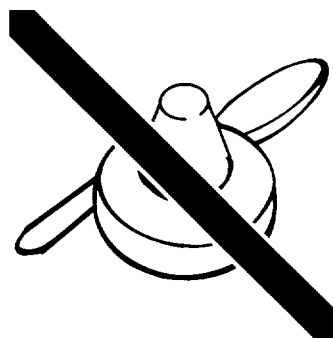
### The coarse strainer

A coarse strainer will prevent bones, pits, and other large objects from entering the pump system. You should periodically check the strainer for such items that may have mistakenly entered the dishwasher.



## Overflow protection float

The overflow protection float in the front right corner of the dishwasher tank prevents the dishwasher from overflowing. The float must be in place for the dishwasher to operate. Check under the float for objects that may prevent the float from moving up or down.



Check under  
overflow  
protection float

# CARING FOR YOUR DISHWASHER

## Storing your dishwasher

### Moving or winterizing your dishwasher

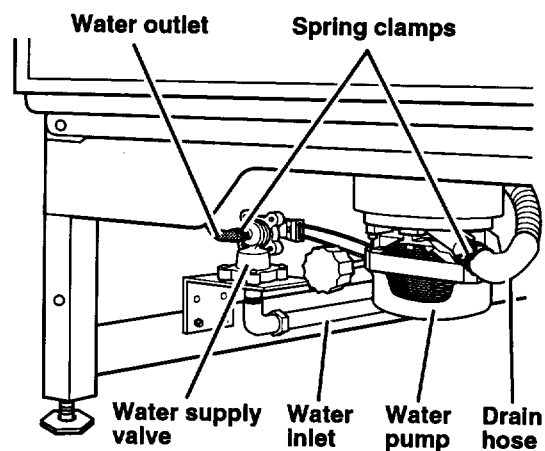
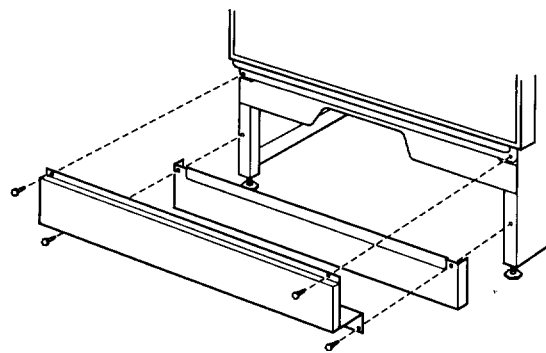
Protect your dishwasher and home against water damage due to freezing water lines. If your dishwasher is left in a seasonal dwelling or could be exposed to near freezing temperatures, have a qualified person do the following:

1. Disconnect power or unplug dishwasher.
2. Turn off water supply to the dishwasher.
3. Remove the 4 screws on the lower access panel and remove the lower access panel.
4. Place a shallow pan under the water supply valve. Then, use a wrench to disconnect the water inlet from the water supply valve. Separate the water inlet from the water supply valve and drain water into the pan.
5. Remove the spring clamp from the water outlet and separate from the water supply valve; drain water into pan.
6. Reconnect both water inlet and water outlet to the water supply valve.
7. Empty the pan and reposition it under the water pump.
8. Remove the clamp and disconnect the drain hose from the water pump; drain water into pan.
9. Reconnect drain hose to the water pump, being sure to position the clamp over the connection.
10. Replace the lower access panel.

**NOTE:** If your dishwasher is connected to a garbage disposal, do not run water into the sink after winterizing. This could cause water to refill the drain hose on your dishwasher.

### Reconnecting your dishwasher after storage

1. Remove the 4 screws on the lower access panel and remove lower access panel.
2. Turn on the water supply to dishwasher.
3. Reconnect power or plug in dishwasher.
4. Run dishwasher through a complete cycle and check for leaks.
5. Replace lower access panel.



### Storing for the summer

Protect your dishwasher during the summer months by turning off the water supply and power supply to the dishwasher.

# CARING FOR YOUR DISHWASHER

## Cleaning your dishwasher

### Cleaning the interior

If mineral deposits from hard water accumulate on the interior of your dishwasher, clean with a damp cloth or follow the instructions indicated in "Removing spots and film" in the "Solving Common Dishwashing Problems" section.

- Do not clean the dishwasher interior until it has cooled.
- Do not use any type of cleanser that may cause foaming or sudsing. Use cleansers made for stainless steel products.

- Run the dishwasher through a Normal cycle with detergent after you are finished cleaning the interior.

### Cleaning the exterior

Wipe the control panel, front, and sides with a damp cloth, then dry. Never use detergents or abrasive cleansers which may damage the finish.

## The drain air gap

### Check the drain air gap anytime your dishwasher isn't draining well.

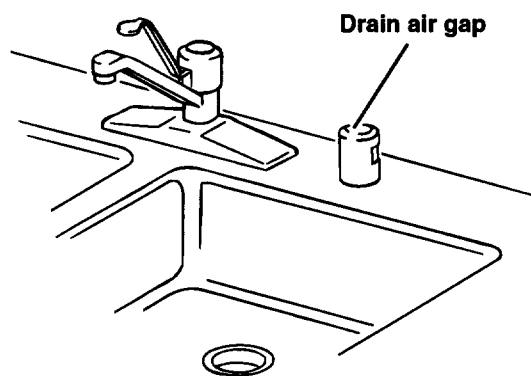
Some state or local plumbing codes require the addition of a drain air gap between a built-in dishwasher and the home drain system. This device protects your dishwasher against water backing up into it when a drain clogs.

The drain air gap is usually located on top of the sink or countertop near the dishwasher. To order drain air gap (Part Number 300096), contact your local dealer. You can also call **1-800-422-1230** in the U.S.A., or see the "A Note to You" section.

**NOTE:** The drain air gap is an external plumbing device that is not part of your dishwasher. The warranty provided with your dishwasher does not cover service costs directly associated with the cleaning or repair of the external drain air gap.

### To clean the drain air gap:

Clean the drain air gap periodically to ensure proper drainage of your dishwasher. Follow the drain air gap cleaning instructions provided by the manufacturer. With most types, you lift off the chrome cover, unscrew the plastic cap, and then check for any buildup of soil. Clean, if necessary.





# SOLVING COMMON DISHWASHING PROBLEMS

This section explains how you can handle minor performance problems. Check this list before calling for service. If you can't solve your dishwasher's problem, review the "Troubleshooting" charts on pages 28-29 before calling for service information.

## Dishes are not cleaned completely

PROBLEM	CAUSE	SOLUTION
<b>Food soil left on dishes</b>	Slowdown of spray arm due to high suds	Use only recommended dishwasher detergents, not soap or laundry detergents. Do not overfill the rinse agent dispenser. Wipe up any spills before running a cycle.
	Improper loading	Follow the loading instructions on pages 8-11.
	Insufficient fill due to low water pressure	Your home water pressure should be 20 to 120 psi (138 to 828 kPa) for a proper dishwasher fill. You may need a booster pump on the water supply if the pressure is too low.
	Use of incorrect, too little, or ineffective detergent	Use recommended dishwasher detergents and specified amounts only (see pages 14 and 15 for amounts), but never use less than 1 tbs (15 mL). For effective cleaning, use only fresh detergent and store it tightly closed in a cool, dry place.
	Detergent cakes in dispenser	Add detergent just before starting the dishwasher. Use fresh detergent and remove any caked detergent before filling the dispenser. When using Delay Wash, make sure the dispenser is dry before adding detergent.
	Water temperature too low	Set your water heater to ensure that the water entering the dishwasher is at least 120°F (49°C). See page 21 for recommended procedure under "Energy saving tips."
<b>Spotting and filming</b>	Hard water or high mineral content in water	Use rinse agent to help eliminate spotting and filming. See "Using the rinse agent dispenser" on page 16. To remove hard water film, see "Removing spots and film" on page 27.
	Water temperature is too low	Set your water heater to ensure that the water entering the dishwasher is at least 120°F (49°C). See page 21 for recommended procedure under "Energy saving tips."
	Use of incorrect detergents	Use only recommended dishwasher detergents.
	Incorrect amount of detergent	Heavy soil or hard water usually require the use of extra detergent. See pages 14 and 15 for recommended detergent amounts.

continued on next page

# LIVING COMMON DISHWASHING PROBLEMS

## Dishes are not cleaned completely (cont.)

PROBLEM	CAUSE	SOLUTION
<b>Spotting and filming</b> (cont.)	Use of ineffective detergents	For effective cleaning, use fresh dishwasher detergent and store it tightly closed in a cool, dry place. Throw away any lumpy detergent.
	Insufficient fill due to low water pressure	Your home water pressure should be 20 to 120 psi (138 to 828 kPa) for proper dishwasher fill. You may need a booster pump on the water supply if the pressure is too low.
<b>Silica film or etching</b> (silica film is a white milky looking deposit; etching is a cloudy film)	Rinse agent not used	Fill the rinse agent dispenser. See the instructions on page 16.
	A water chemical reaction with certain types of glassware – usually caused by some combination of soft or softened water, alkaline washing solutions, insufficient rinsing, excessive detergent, and overloading the dishwasher	You may have to hand wash these items to eliminate this problem completely. Silica film and etching are permanent marks and cannot be removed. To slow down the reaction, you can try using as little detergent as possible and a liquid rinse agent. Also, underload the dishwasher to allow thorough rinsing, and use the Energy Saver Dry option.
<b>White spots on cookware with non-stick finish</b>	Seasoning removed by dishwasher detergents	Reseason your cookware after dishwasher washing. See cookware manufacturer's instructions, or coat pan with cooking oil and wipe clean with a paper towel.

## Dishes do not dry completely

PROBLEM	CAUSE	SOLUTION
<b>Dishes are not dry</b>	Water temperature is too low	Set your water heater to ensure that the water entering the dishwasher is at least 120°F (49°C). See page 21 for recommended procedure under "Energy saving tips."
	Water does not drain off of dishes	Do not overload the dishwasher so that the water can drain off the dishes adequately, and use a liquid rinse agent to help speed drying. See pages 8-11 for proper loading instructions. Do not use the Energy Saver Dry option.
	Rinse agent not used	Fill the rinse agent dispenser. See page 16 for instructions.
	Plastics	Some plastics might need to be towel dried.
	Energy Saver Dry option used	Do not use the Energy Saver Dry option on the next load of dishes.

# SOLVING COMMON DISHWASHING PROBLEMS

## Dishes are damaged during cycle

PROBLEM	CAUSE	SOLUTION
<b>Chipping of dishes</b>	Improper loading	Load dishes and glasses so they are stable and do not strike together while washing. Moving the racks in and out smoothly will also minimize chipping.  <b>NOTE:</b> Hand wash some types of china and glassware, such as antiques and feather-edged crystal.
<b>Black or gray marks on dishes</b>	Aluminum items touching dishes	Load aluminum pieces so that they will not rub against dishes during washing. Do not wash throw-away aluminum items in the dishwasher. You can remove aluminum markings by using a mild abrasive cleanser.

## Removing spots and film

Keep the rinse agent dispenser filled with a liquid rinse agent. A rinse agent prevents water from forming droplets and drying as spots or streaks.

**To remove spots and film** on dishes and glasses, or hard water film/lime buildup on the interior of the dishwasher, you may use white vinegar with the following procedure:

1. Load clean dishes and glasses in the dishwasher in regular manner. Do not load silverware or other metals in the dishwasher.
2. Put 2 cups (473 mL) of household vinegar in a glass or dishwasher-safe measuring cup, and stand it upright in the bottom rack.

3. Close the door.

4. Select the Normal cycle and Energy Saver Dry option, then press Start. Do not use detergent. Allow the dishwasher to complete the entire cycle.

**NOTE:** This procedure is intended for occasional use only. Vinegar is an acid and excessive use may damage your dishwasher.

# TROUBLESHOOTING

## Before calling for service ...

If your appliance fails to operate, review the following list and the "Solving Common Dishwashing Problems" section on pages 25-27 before calling your dealer. This could save you the cost of a service call.

## Dishwasher is not operating properly

PROBLEM	CHECK THE FOLLOWING
<b>Dishwasher does not run or stops during a cycle</b>	Is the door tightly closed? Has the cycle been set correctly? See page 7. Is Child Lock on? See page 19. Has a household fuse or circuit breaker blown or tripped? Is the water supply turned on? If the motor has stopped because of an overload, it will automatically reset itself within a few minutes. If the motor does not start, call for service.
<b>Dishwasher will not fill</b>	Is the overflow protection float stuck in "up" position? It should move up and down freely. Press down to release. See page 22.
<b>Dishwasher seems to run too long</b>	Is the incoming water temperature low? The dishwasher will run longer while water automatically heats or if the High Temp. Wash option has been selected. Set your water heater to ensure that the water entering the dishwasher is at least 120°F (49°C).
<b>Water remains in dishwasher</b>	Wait for the cycle to finish. A small amount of water remaining is normal. Check the drain air gap (if installed). If it is clogged, follow the manufacturer's cleaning instructions. See page 24.
<b>Detergent remains in covered detergent cup</b>	Use fresh detergent and store it tightly closed in a cool, dry place. Throw away any lumpy detergent. Wait for the cycle to complete itself. Overflow protection float should move up and down freely. See page 22.
<b>White residue appears on front of access panel</b>	Some detergents foam a lot and can build up on the access panel. Try using less detergent or a different brand to reduce foaming and eliminate buildup.
<b>Odor in the dishwasher</b>	Run a Rinse Only cycle at least once or twice a day until a full load is accumulated.

# TROUBLESHOOTING

## Noises

<b>PROBLEM</b>	<b>CHECK THE FOLLOWING</b>
<b>Grinding, grating, crunching, or buzzing sounds</b>	Has a hard object entered the pump? The sound should stop when the object is ground up. If it does not stop after the next cycle, call for service. See page 21 for "Normal operating sounds".

## Vapor appears

<b>PROBLEM</b>	<b>CHECK THE FOLLOWING</b>
<b>Vapor from door</b>	This is normal when dishwasher is in the drying portion of a cycle. See "Drying system" on page 20.

# REQUESTING ASSISTANCE OR SERVICE

Before calling for assistance or service, please check the "Troubleshooting" section. It may save you the cost of a service call. If you still need help, follow these instructions.

## If you need assistance or service in the U.S.A. ...

### Call the KitchenAid Consumer Assistance



Center toll free:  
1-800-422-1230.

When calling:

Please know the purchase date and the complete model and serial number of your appliance (see the "A Note to You" section). This information will help us to better respond to your request.

#### Our consultants provide assistance with:

- Features and specifications on our full line of appliances.
- Installation information.

- Use and maintenance procedures.
- Accessory and repair parts sales.
- Specialized customer assistance (Spanish speaking, hearing impaired, limited vision, etc.).
- Referrals to local dealers, service companies, and repair parts distributors.

**KitchenAid service technicians** are trained to fulfill the product warranty and provide after-warranty service, anywhere in the United States.

To locate the authorized KitchenAid service company in your area, you can also look in your telephone directory Yellow Pages.

## If you need replacement parts ...

If you need to order replacement parts, we recommend that you only use factory authorized parts. These parts will fit right and work right, because they are made with the same precision used to build every new

KITCHENAID\* appliance. To locate factory authorized replacement parts in your area, call our Consumer Assistance Center telephone number or your nearest authorized service center.

## For further assistance ...

If you need further assistance, you can write to KitchenAid with any questions or concerns at:

KitchenAid Brand Home Appliances  
Consumer Assistance Center  
c/o Correspondence Dept.  
2000 North M-63  
Benton Harbor, MI 49022-2692

Please include a daytime phone number in your correspondence.

# REQUESTING ASSISTANCE OR SERVICE

## If you need assistance or service in Canada ...

For assistance throughout Canada, call the KitchenAid Canada Consumer Assistance Centre toll free, 8:30 a.m. – 6. p.m. (EST): 1-800-461-5681.



When calling:  
Please know the purchase date, and the complete model and serial number of your appliance (see the "A Note to You" section). This information will help us to better respond to your request.

### Our consultants provide assistance with:

- Features and specifications on our full line of appliances.
- Referrals to local dealers.
- Use and maintenance procedures.

**KitchenAid service technicians** are trained to fulfill the product warranty and provide after-warranty service, anywhere in Canada. **For service in Canada, call one of the following numbers listed below.**

### KitchenAid Canada Appliance Service – Consumer Services

#### Direct service branches:

<b>BRITISH COLUMBIA</b>		1-800-665-6788
<b>ALBERTA</b>		1-800-661-6291
<b>ONTARIO</b> (except 807 area code)	Ottawa area	1-800-267-3456
	Outside the Ottawa area	1-800-807-6777
<b>MANITOBA, SASKATCHEWAN</b> and 807 area code in ONTARIO		1-800-665-1683
<b>QUEBEC</b>	Montreal (except South Shore)	1-800-361-3032
	South Shore Montreal	1-800-361-0950
	Quebec City	1-800-463-1523
	Sherbrooke	1-800-567-6966
<b>ATLANTIC PROVINCES</b>		1-800-565-1598

## If you need replacement parts ...

If you need to order replacement parts, we recommend that you only use factory authorized parts. These parts will fit right and work right, because they are made with

the same precision used to build every new KITCHENAID\* appliance. To locate factory authorized replacement parts in your area, call your nearest authorized service centre.

## For further assistance ...

If you need further assistance, you can write to KitchenAid Canada with any questions or concerns at:

Consumer Relations Centre  
KitchenAid Canada  
1901 Minnesota Court  
Mississauga, Ontario L5N 3A7

Please include a daytime phone number in your correspondence.

# INDEX

This index is alphabetical. Look for the word or phrase you are interested in, then look for the page number.

<b>TOPIC</b>	<b>PAGE</b>	<b>TOPIC</b>	<b>PAGE</b>
<b>ASSISTANCE</b>		<b>MAINTENANCE</b>	
In Canada .....	31	Cleaning .....	24
In the U.S.A. ....	30	Drain air gap .....	24
<b>CHILD LOCK</b> .....	19	HYDRO SWEEP* wash system .....	22
<b>CLEANING</b>		Overflow protection float .....	22
Exterior .....	24	Storing .....	23
Interior .....	24	<b>NOISES</b>	
<b>COMMON WASHING PROBLEMS</b>		Normal operating sounds .....	21
Solving .....	25-27	Quiet operating tips .....	21
<b>CONTROL PANEL LIGHTS</b> .....	18	<b>OPERATING</b> .....	17-21
<b>CYCLE</b>		<b>OPTIONS</b>	
Canceling .....	18	Selecting .....	18
Selection chart .....	17	<b>OVERFLOW PROTECTION</b> .....	22
<b>DELAY START</b> .....	20	<b>PARTS/FEATURES</b> .....	4
<b>DETERGENT</b>		<b>RESPONSIBILITIES</b>	
How much .....	14,15	Owner .....	2
What type .....	14	<b>RINSE AGENT</b>	
<b>DISHWASHER OPERATION</b>		Using .....	16
Adding dishes during cycle .....	19	<b>SAFETY</b> .....	3
Canceling a cycle .....	18	<b>SERVICE</b>	
Changing a setting .....	19	In Canada .....	31
Setting a delay start .....	20	In the U.S.A. ....	30
Starting .....	7	<b>SILVERWARE BASKET</b> .....	11
<b>DISPENSER</b>		<b>SPECIAL ITEMS</b>	
Detergent .....	13	Washing tips .....	12
Rinse agent .....	16	<b>SPOTS/FILM</b>	
<b>DRAIN AIR GAP</b> .....	24	Removing .....	27
<b>DRYING SYSTEM</b> .....	20	<b>START UP GUIDE</b> .....	6
<b>ENERGY</b>		<b>STORING</b> .....	23
Saving .....	21	<b>TROUBLESHOOTING</b> .....	28
<b>FEATURES/PARTS</b> .....	4	<b>UPPER RACK</b>	
<b>FILM/SPOTS</b>		Loading .....	8
Removing .....	27	<b>VAPOR</b> .....	20
<b>LOADING</b>		<b>WARRANTY</b> .....	33
Lower rack .....	10	<b>WATER</b>	
Preparing to load .....	8	Checking temperature .....	21
Silverware basket .....	11		
Upper rack .....	8, 9		
<b>LOWER RACK</b> .....	10		



# DISHWASHER WARRANTY

LENGTH OF WARRANTY:	KITCHENAID WILL PAY FOR:	KITCHENAID WILL NOT PAY FOR:
<b>ONE YEAR FULL WARRANTY FROM DATE OF INSTALLATION</b>	Replacement parts and repair labor to correct defects in materials or workmanship. Service must be provided by an authorized KitchenAid servicing outlet.	<b>A. Service calls to:</b> <ol style="list-style-type: none"> <li>1. Correct the installation of the dishwasher.</li> <li>2. Instruct you how to use the dishwasher.</li> <li>3. Replace house fuses or correct house wiring.</li> <li>4. Correct house plumbing.</li> </ol>
<b>SECOND – THROUGH FIFTH – YEAR LIMITED WARRANTY FROM DATE OF INSTALLATION</b>	Replacement parts for the upper or lower dish rack if the rack rusts due to defective materials or workmanship.  Replacement parts for the one-third horsepower motor if defective in materials or workmanship.  Replacement parts for the electronic controls if defective in materials or workmanship.  Replacement parts for the heating element if defective in materials or workmanship.	<b>B. Repairs when dishwasher is used in other than normal home use.</b> <b>C. Damage resulting from accident, alteration, misuse, abuse, fire, floods, acts of God, improper installation, or installation not in accordance with local electrical and plumbing codes.</b> <b>D. Any labor costs during the limited warranty.</b> <b>E. Replacement parts or repair labor costs for units operated outside the United States or Canada.</b>
<b>LIFETIME WARRANTY FROM DATE OF INSTALLATION</b>	Replacement parts and repair labor for the stainless steel tub or inner door if the tub or inner door develops water leak caused by rust through as a result of defective materials or workmanship.	<b>F. Pickup and delivery. This product is designed to be repaired in the home.</b> <b>G. Repairs to parts or systems resulting from unauthorized modifications made to the appliance.</b> <b>H. In Canada, travel or transportation expenses for customers who reside in remote areas.</b>

9/97

**KITCHENAID AND KITCHENAID CANADA DO NOT ASSUME ANY RESPONSIBILITY FOR INCIDENTAL OR CONSEQUENTIAL DAMAGES.** Some states or provinces do not allow the exclusion or limitation of incidental or consequential damages, so this exclusion or limitation may not apply to you. This warranty gives you specific legal rights and you may also have other rights which may vary from state to state or province to province.

**Outside the United States or Canada, a different warranty may apply. For details, please contact your authorized KitchenAid dealer.**

If you need assistance or service, first see the "Troubleshooting" section of this book. After checking "Troubleshooting," additional help can be found by checking the "Requesting Assistance or Service" section. In the U.S.A., call our Consumer Assistance Center at **1-800-422-1230**. In Canada, call KitchenAid Canada at one of the telephone numbers listed in the "Requesting Assistance or Service" section.

KitchenAid  
Benton Harbor, MI 49022-2692 U.S.A.

Modèle  
KUDR24SE

# GUIDE D'UTILISATION ET D'ENTRETIEN

**KitchenAid®**

*Sculptura®*

**Lave-vaisselle  
encastré**

Note à l'utilisateur .....	2
La sécurité du lave-vaisselle .....	3
Composants et caractéristiques .....	4
Guide de mise en service .....	6
Chargement du lave-vaisselle .....	9
Lavage d'articles spéciaux .....	14
Utilisation des distributeurs .....	16
Utilisation du lave-vaisselle .....	20
Entretien du lave-vaisselle .....	26
Solutions des problèmes communs du lave-vaisselle .....	30
Diagnostic .....	34
Demande d'assistance ou de service .....	36
Index .....	39
Garantie .....	40

Aux É.-U. pour obtenir  
assistance ou service,  
contacter le Centre  
d'assistance à la clientèle :

**1-800-422-1230**

Au Canada, pour obtenir  
assistance ou service,  
voir page 2.

# NOTE À L'UTILISATEUR

## **Nous vous remercions de votre achat d'un appareil ménager KITCHENAID\*!**

KitchenAid conçoit les meilleurs outils pour la pièce la plus importante dans votre maison. Nous avons préparé ce Guide d'utilisation et d'entretien pour que votre appareil puisse vous fournir de nombreuses années de service sans problème. Il contient des renseignements importants concernant l'utilisation et l'entretien convenables et en sécurité de votre nouvel appareil. Veuillez le lire attentivement.

Veuillez également remplir et nous retourner la carte ci-jointe d'enregistrement du produit.

### **Aux É.-U.**

Pour assistance ou service  
contacter le Centre d'assistance à la clientèle, sans frais ..... **1-800-422-1230**

### **Au Canada pour assistance**

Contactez le Centre d'assistance à la clientèle, sans frais ..... **1-800-461-5681**  
**8 h 30 à 18 h (EST)**

**Dans tout le Canada pour les interventions de service** ..... **voir aux pages 37 et 38**

Si vous avez besoin d'assistance ou de service, consultez d'abord la section "Diagnostic" dans cette brochure. Après avoir consulté la section "Diagnostic", on peut également obtenir de l'aide à la section "Demande d'assistance ou de service" ou en téléphonant à l'un des numéros mentionnés ci-dessus.

Lors de votre appel, vous devrez communiquer le numéro de série et le numéro de modèle complet de l'appareil. Vous pouvez trouver cette information sur la plaque signalétique (voir le schéma à la section "Composants et caractéristiques").

Conserver cette brochure et la facture d'achat ensemble en lieu sûr pour consultation ultérieure. Pour obtenir le service sous garantie, vous devez fournir une preuve d'achat ou la date d'installation.

<b>Numéro de modèle</b> _____	<b>Constructeur/Concessionnaire</b> _____
<b>Numéro de série</b> _____	<b>Adresse</b> _____
<b>Date d'installation</b> _____	<b>Téléphone</b> _____

# LA SÉCURITÉ DU LAVE-VAISSELLE

## Votre sécurité et celle des autres est très importante.

Nous donnons de nombreux messages de sécurité importants dans ce manuel et sur votre appareil ménager. Assurez-vous de toujours lire tous les messages de sécurité et de vous y conformer.



Voici le symbole d'alerte de sécurité.

Ce symbole d'alerte de sécurité vous signale les dangers susceptibles de causer le décès et des blessures graves.

Tous les messages de sécurité seront précédés du symbole d'alerte de sécurité et du mot "DANGER" ou "AVERTISSEMENT". Ces mots signifient :

**⚠ DANGER**

Risque certain de décès ou de blessure grave si vous ne suivez pas les instructions.

**⚠ AVERTISSEMENT**

Risque possible de décès ou de blessure grave si vous ne suivez pas les instructions.

Tous les messages de sécurité identifient le danger et vous disent comment réduire le risque de blessure et ce qui peut se produire en cas de non-respect des instructions.

## IMPORTANTES INSTRUCTIONS DE SÉCURITÉ

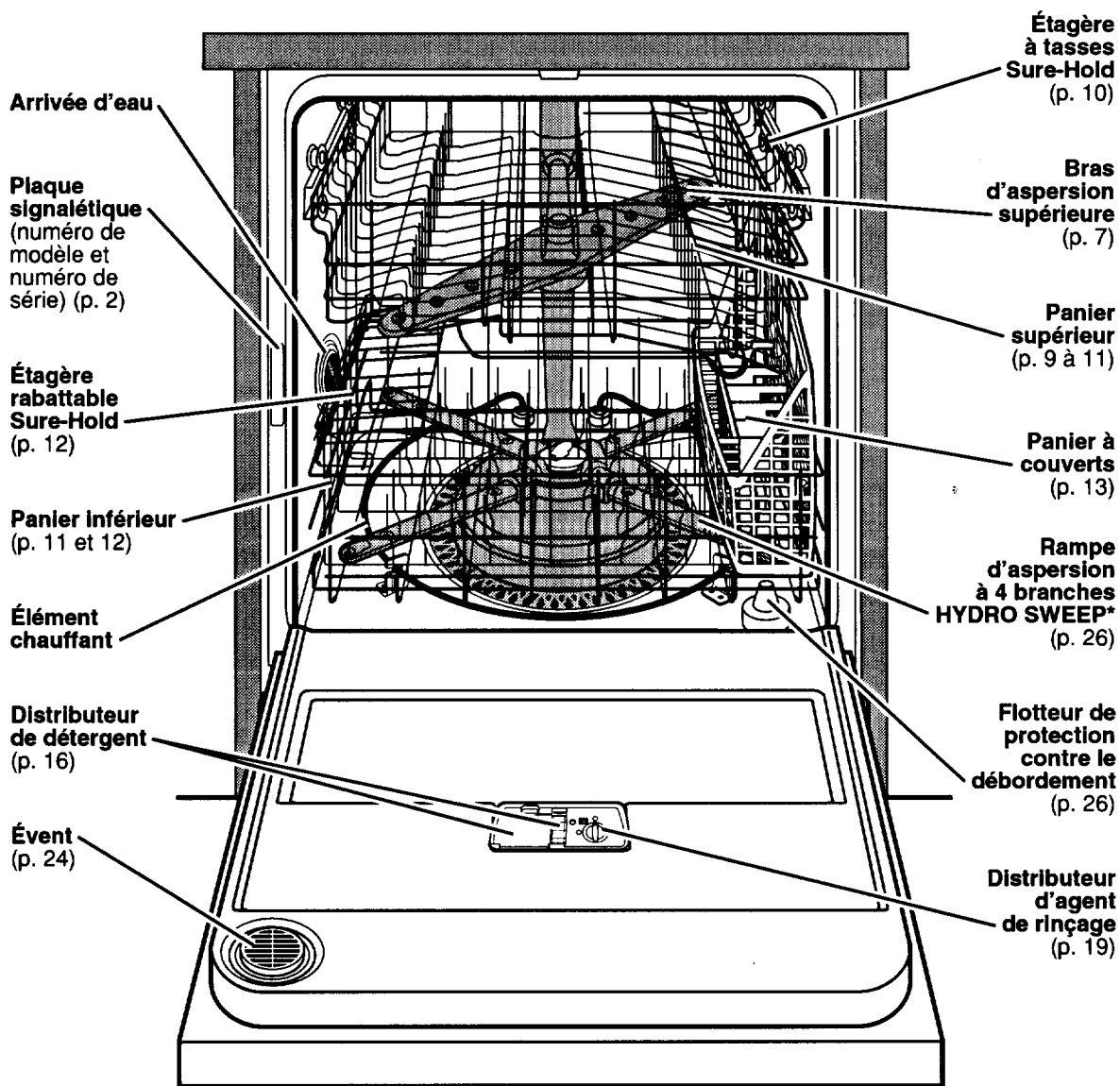
**AVERTISSEMENT** – Pendant l'usage du lave-vaisselle, suivre les précautions fondamentales, y compris les suivantes :

- Lire toutes les instructions avant d'utiliser le lave-vaisselle.
- N'utiliser le lave-vaisselle que pour laver la vaisselle.
- Utiliser les détergents ou agents de rinçage recommandés pour lave-vaisselle et les garder hors de la portée des enfants.
- Lorsque vous chargez le lave-vaisselle :
  - 1) Placer les objets coupants de façon qu'ils ne puissent endommager le joint de la porte; et
  - 2) Placer les couteaux le manche vers le haut de façon à ne pas vous couper.
- Ne pas laver d'articles en plastique à moins qu'ils ne soient marqués "peut aller au lave-vaisselle" ou l'équivalent. Si l'article ne porte aucune indication, vérifier auprès du fabricant.
- Ne pas toucher l'élément chauffant pendant le fonctionnement ou immédiatement après.
- Ne pas faire fonctionner le lave-vaisselle si tous les panneaux de l'enceinte ne sont pas en place.
- Ne pas jouer avec les commandes.
- Ne pas abuser, vous asseoir ou monter sur la porte ou les paniers du lave-vaisselle.
- Pour éviter tout risque d'accident, ne pas laisser les enfants jouer dans ou sur le lave-vaisselle.
- Sous certaines conditions, de l'hydrogène peut se former dans un réseau d'eau chaude inutilisé depuis deux semaines ou plus. L'HYDROGÈNE EST UN GAZ EXPLOSIBLE. Si le système d'eau chaude n'a pas été utilisé depuis un certain temps, laisser couler l'eau chaude des robinets pendant quelques minutes avant de faire fonctionner le lave-vaisselle. Cette mesure permettra à l'hydrogène de s'évaporer. Ce gaz étant inflammable, ne pas fumer ni utiliser de flamme nue pendant cette période.
- Enlever la porte du lave-vaisselle lorsque vous le remplacez ou le mettez au rebut.

**– CONSERVER CES INSTRUCTIONS –**

# COMPOSANTS ET CARACTÉRISTIQUES

On présente ci-dessous une illustration du lave-vaisselle identifiant les divers composants et fonctions. On indique également les pages où on peut trouver rapidement une information plus détaillée sur des fonctions ou composants spécifiques.

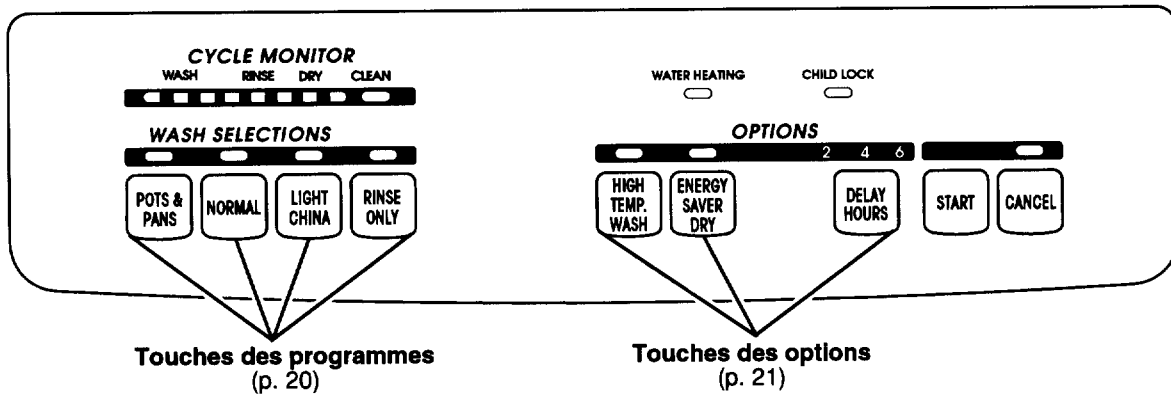


## Autres caractéristiques :

Attaches pour verres à pied (p. 10)

Agrafes Sure-Hold (p. 11)

## Caractéristiques du lave-vaisselle



# GUIDE DE MISE EN SERVICE

## Avant d'utiliser le lave-vaisselle

### ⚠ AVERTISSEMENT



#### Risque de basculement

**Ne pas utiliser le lave-vaisselle jusqu'à ce qu'il soit complètement installé.**

**Ne pas appuyer sur la porte ouverte.**

**Le non-respect de ces instructions peut causer des blessures graves ou des coupures.**

- Installer le lave-vaisselle dans un endroit à l'abri des intempéries. Protéger l'appareil contre le gel pour éviter une rupture possible du robinet de remplissage. De telles ruptures ne sont pas couvertes par la garantie. Voir "Remisage du lave-vaisselle" à la section "Entretien du lave-vaisselle" pour la préparation du remisage en hiver.
- Installer et niveler le lave-vaisselle sur un plancher qui pourra en supporter le poids, et dans un espace convenable pour ses dimensions et son utilisation.

### ⚠ AVERTISSEMENT



#### Risque de choc électrique

**Relier le lave-vaisselle à la terre d'une méthode électrique.**

**Brancher le fil relié à la terre au connecteur vert relié à la terre dans la boîte de la borne.**

**Ne pas utiliser un câble de rallonge.**

**Le non-respect de ces instructions peut causer un décès, un incendie ou un choc électrique.**

- Enlever tous les bouchons d'expédition des tuyaux et des raccords (tel que le capuchon sur l'ouverture de vidange) avant l'installation. Voir les instructions d'installation pour des renseignements complets.

## INSTRUCTIONS DE MISE À LA TERRE

- Pour un lave-vaisselle relié à la terre, branché avec un cordon :

Le lave-vaisselle doit être relié à la terre. En cas d'un mauvais fonctionnement ou d'une panne, la mise à la terre réduira le risque d'un choc électrique en fournissant le moins de résistance pour le courant électrique. Le lave-vaisselle est équipé d'un cordon avec un conducteur pour relier les appareils à la terre et une fiche de branchement reliée à la terre. La fiche doit être branchée à une prise appropriée installée et reliée à la terre conformément aux codes et ordonnances locales.

**AVERTISSEMENT** – La connexion incorrecte du conducteur pour relier les appareils peut causer le risque de choc électrique. Vérifier avec un électricien

compétent ou un représentant de service si vous avez des doutes si le lave-vaisselle est correctement relié à la terre. Ne pas modifier la fiche fournie avec le lave-vaisselle; si elle n'entre pas dans la prise, installer une prise appropriée à l'aide d'un électricien compétent.

- Pour un lave-vaisselle branché en permanence :

Le lave-vaisselle doit être branché à un système d'installation électrique permanent en métal relié à la terre, ou un conducteur pour relier les appareils doit être relié avec les conducteurs du circuit et branché à une borne pour relier les appareils à la terre ou au cordon d'alimentation électrique avec le lave-vaisselle.

**– CONSERVER CES INSTRUCTIONS –**

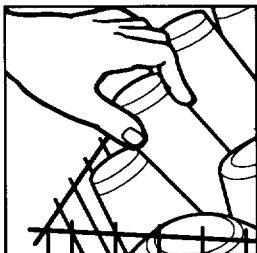
# GUIDE DE MISE EN SERVICE

L'utilisation du nouveau lave-vaisselle KITCHENAID\* est simple. Suivre les étapes ci-dessous pour la mise en marche. Pour plus de renseignements spécifiques sur des étapes et des renseignements additionnels, voir la(les) page(s) décrivant l'étape que vous désirez connaître davantage.

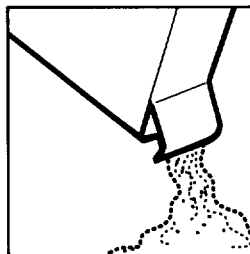
**REMARQUE :** Avant d'utiliser le lave-vaisselle, enlever tous les documents imprimés, les étiquettes temporaires et matériaux d'emballage. Veuillez lire aussi le guide d'utilisation et d'entretien entièrement puisqu'il contient des renseignements sur le fonctionnement et la sécurité.

## Utilisation du lave-vaisselle

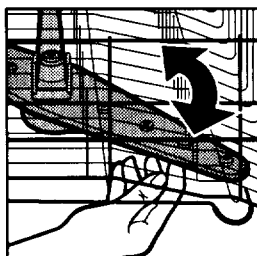
1. Charger le lave-vaisselle. Voir pages 9 à 13.



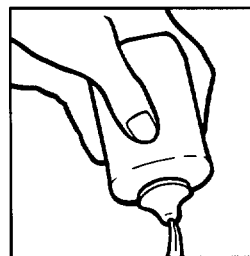
3. Ajouter le détergent. Voir pages 16 à 18.



2. Faire tourner le bras d'aspersion supérieur. Il devrait tourner librement. Vérifier le bras d'aspersion inférieur aussi pour vous assurer qu'il tourne librement.



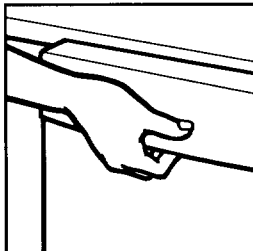
4. Ajouter l'agent de rinçage si nécessaire. Voir page 19.



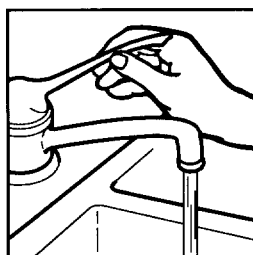


# GUIDE DE MISE EN SERVICE

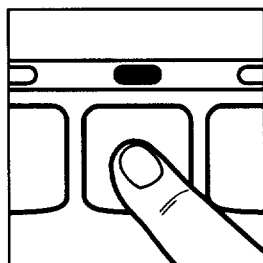
5. Pousser fermement la porte lors de la fermeture.



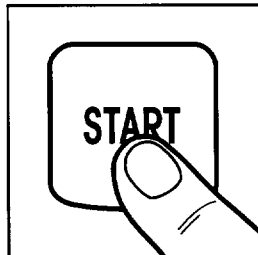
6. Faire couler l'eau chaude à l'évier le plus près du lave-vaisselle jusqu'à ce que l'eau soit chaude. Fermer le robinet d'eau. Voir page 25.



7. Appuyer sur la touche désirée de sélection de lavage. Voir "Tableau de sélection des programmes" à la page 20. Ensuite appuyer sur la ou les touches d'option désirée. Voir page 21 pour la "Sélection des options".



8. Appuyer sur la touche de mise en marche (Start). Le programme commencera (si un fonctionnement différé n'a pas été sélectionné).



**REMARQUE :** Le lave-vaisselle se souvient du dernier programme et des dernières

options qui ont été exécutés. Il vous suffit d'appuyer sur la touche de mise en marche (START) si vous désirez utiliser le même programme et les mêmes options.

Toutefois, si le dernier programme que vous avez choisi est celui de Rinse Only (rinçage seulement) le lave-vaisselle exécutera le programme Normal si vous appuyez sur la touche de mise en marche.

# CHARGEMENT DU LAVE-VAISSELLE

On décrit dans cette section la méthode convenable de chargement du lave-vaisselle pour l'obtention des meilleurs résultats de lavage et de rinçage.

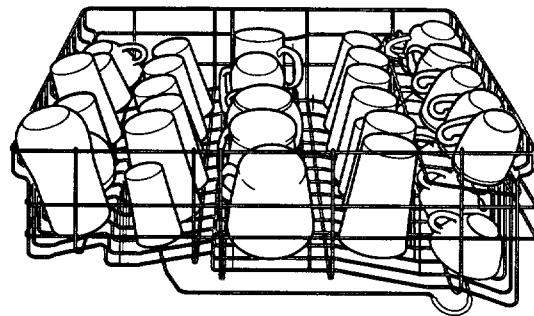
## Préparation avant le chargement du lave-vaisselle

- Gratter et enlever les résidus alimentaires, os, cure-dents et autres articles durs sur la vaisselle. Il n'est pas nécessaire de rincer la vaisselle avant de la placer dans le lave-vaisselle.
- Charger la vaisselle de telle manière que la surface souillée soit orientée vers la source d'aspersion (vers le bas ou l'intérieur). Il est important que les jets d'eau atteignent toutes les surfaces souillées.
- Procéder prudemment lors du chargement des ustensiles de cuisine lourds dans le lave-vaisselle. Ils peuvent laisser des traces sur la surface intérieure d'acier inoxydable de la porte, à l'occasion d'une chute ou d'un choc.
- Veiller à ce que les couvercles et poignées des ustensiles, tôles à pizza, tôles à biscuits, etc. n'entravent pas la rotation des bras d'aspersion.
- Exécuter un programme de "Rinçage Seulement" pour que la vaisselle reste humide si on ne prévoit pas d'effectuer le lavage immédiatement. Il peut être difficile d'éliminer les résidus de produits alimentaires comme oeufs, riz, pâtes, épinards et céréales cuites si on les laisse sécher.

## Chargement du panier supérieur

Le panier supérieur est conçu pour le chargement des tasses, verres et autres petits articles.

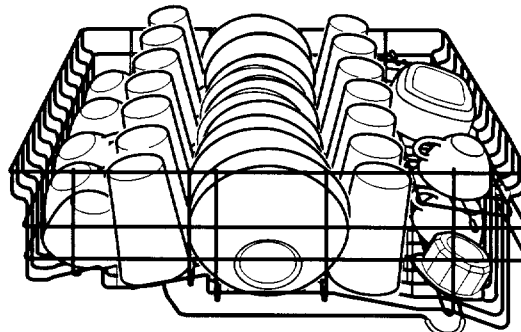
- Charger les tasses et verres dans le panier supérieur seulement, dans les rangées entre les tiges. Si on les place en chevauchement sur les tiges, ces articles peuvent s'écailler ou se briser.
- Les articles de porcelaine, cristal et autres matières délicates ne doivent pas se toucher au cours du lavage. Ils pourraient subir des dommages.
- Placer les articles de telle manière que l'extrémité ouverte soit orientée vers le bas, pour obtenir le meilleur résultat de nettoyage et drainage.
- Charger correctement les articles de plastique dans le panier supérieur seulement. Laver au lave-vaisselle seulement des articles de plastique identifiés comme "lavables au lave-vaisselle".



Charge de tasses et verres

## Chargement du panier supérieur (suite)

- Immobiliser les articles légers pour qu'ils ne se retournent pas au cours du lavage. Coincer les articles légers les uns contre les autres ou recouvrir ceux-ci d'articles plus lourds. (Voir la page suivante pour l'utilisation des agrafes Sure-Hold.)
- Pour obtenir la meilleure stabilité, charger les bols dans la section centrale.
- Les paniers avec les bouts de couleur sarcelle peuvent être réglés pour les charges différentes.

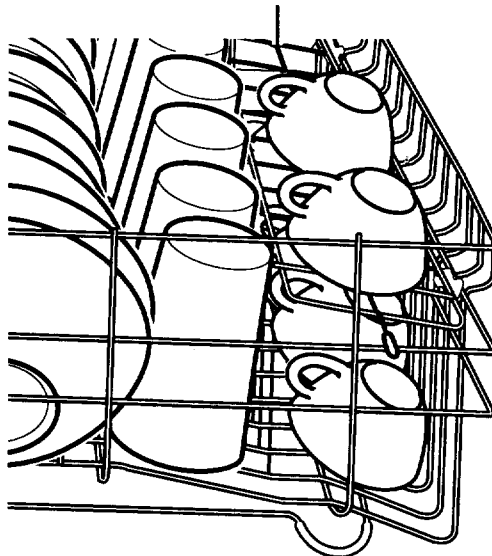


Charge mixte

### Étagère à tasses Sure-Hold

Rabattre l'étagère sur le panier supérieur pour y placer des tasses et verres additionnels, ou de petits articles comme les spatules et les ustensiles longs.

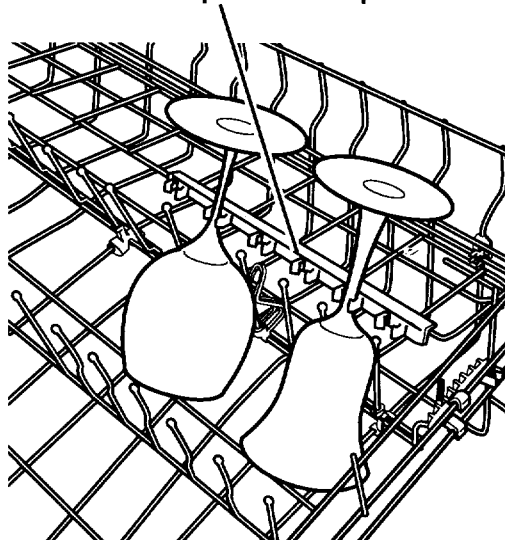
Étagère à tasses



### Attaches pour verres à pied

Utiliser les attaches pour verres à pied (fixés à l'étagère à tasses) pour soutenir les verres à vin et à eau, etc., et empêcher qu'ils soient endommagés au cours du lavage.

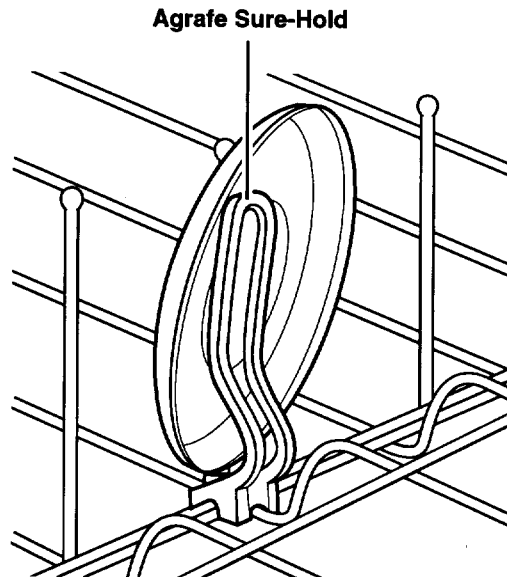
Attaches pour verres à pied



## Chargement du panier supérieur (suite)

### Agrafes Sure-Hold

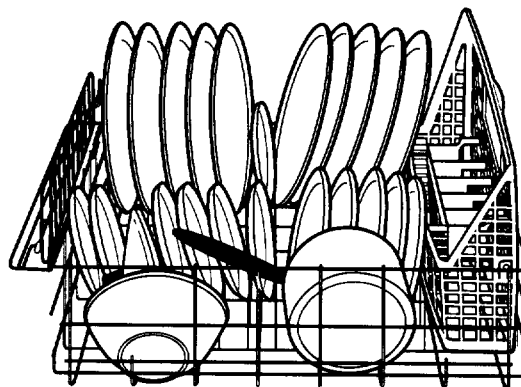
Les agrafes antibasculement ont pour fonction de maintenir en place au cours du lavage les articles de plastique légers comme tasses, couvercles ou bols. On peut placer une agrafe partout dans le panier; il suffit de la soulever pour la séparer de la tige, et de la repositionner à un autre endroit.



## Chargement du panier inférieur

Le panier inférieur est conçu pour les assiettes, poêlons, casseroles et ustensiles.

- Charger dans le panier inférieur les articles comportant des résidus alimentaires cuits ou séchés, en veillant à orienter les surfaces souillées vers les sources d'aspersion.
- Pour maximiser la capacité et la stabilité d'une charge de vaisselle seulement, placer des petites et grandes assiettes en décalage ou chevauchement.
- Charger les assiettes côte à côte avec les ustensiles de cuisine et les ustensiles de plus grande taille, comme à l'illustration.
- Les paniers avec les bouts de couleur sarcelle peuvent être réglés pour les charges différentes.

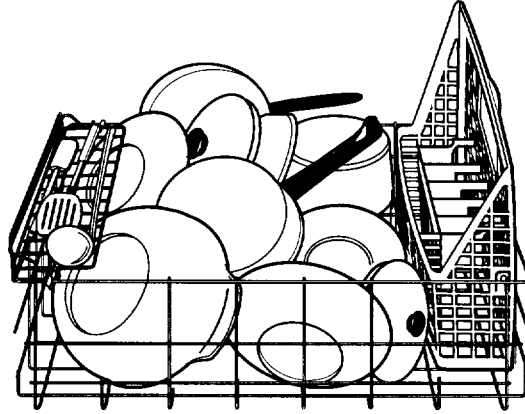


suite à la page suivante

# CHARGEMENT DU LAVE-VAISSELLE

## Chargement du panier inférieur (suite)

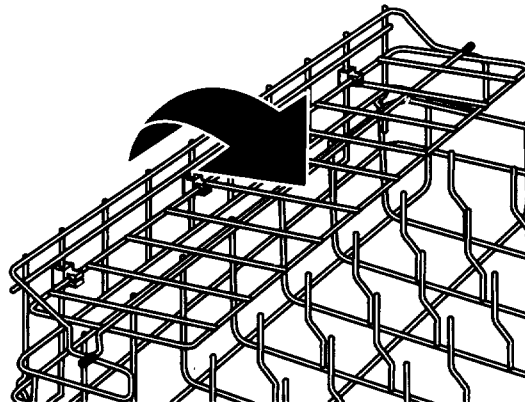
- Charger les bols à soupe, bols à céréales et bols de service dans le panier de diverses manières, selon leur taille et leur forme. Essayer d'immobiliser les bols entre les rangées de tiges. Ne pas imbriquer les bols les uns dans les autres, car les jets d'eau ne pourraient atteindre leur surface souillée.
- Ne pas placer de petits articles dans le panier inférieur s'ils ne sont pas immobilisés en place.
- Ne pas charger les articles entre le panier inférieur et la paroi latérale de la cuve du lave-vaisselle. Ceci pourrait obstruer l'arrivée d'eau.



Charge d'ustensiles

### Étagère rabattable Sure-Hold

Rabattre l'étagère sur le côté gauche du panier inférieur pour y placer de petits articles, comme des tasses ou ustensiles.



# CHARGEMENT DU LAVE-VAISSELLE

## Chargement du panier à couverts

- Charger le panier à couverts alors qu'il est placé dans le panier inférieur, ou retirer le panier et le placer sur une table ou un comptoir pour le remplir.

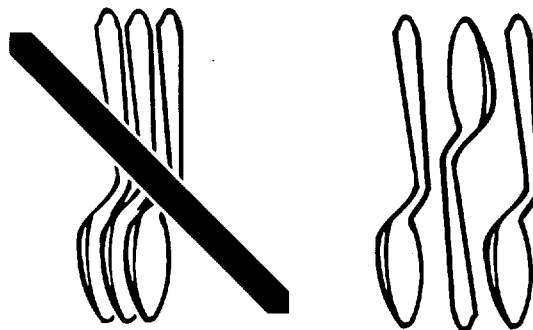
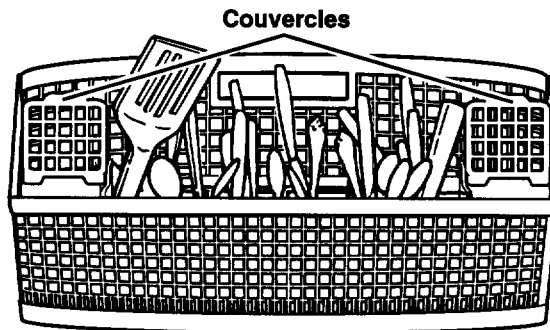
- Dans chaque section du panier, orienter certains articles vers le haut et certains articles vers le bas.

**IMPORTANT :** On doit toujours orienter vers le bas la pointe des articles acérés (couteaux, brochettes, fourchettes, etc.).

- Placer les articles de petite taille comme les tétines de biberon, couvercles de pot, porte-épis de maïs, etc., dans la section médiane qui comporte un couvercle. Fermer le couvercle sur la section pour que les petits articles ne puissent en sortir.
- Charger les fourchettes et cuillères de telle manière qu'elles ne puissent s'imbriquer les unes dans les autres; les jets d'eau ne pourraient atteindre leur surface.
- On peut également retirer le panier à couverts pour faciliter le déchargement. Vider ou enlever le panier avant de décharger le panier supérieur, pour éviter la chute de gouttes d'eau sur les couverts.

### REMARQUES :

- Ne pas mélanger des articles d'argenterie avec des articles d'acier inoxydable. Ces métaux peuvent subir des dommages s'ils entrent en contact entre eux au cours du lavage.
- Certains aliments (comme sel, vinaigre, produits laitiers, jus de fruit, etc.) peuvent provoquer une corrosion ou des piqûres sur les couverts si on les laisse en contact pendant une période prolongée. Utiliser le programme "Rinçage Seulement" si les couverts ne sont pas lavés immédiatement après l'usage.



# LAVAGE D'ARTICLES SPÉCIAUX

En cas de doute au sujet de la méthode de lavage d'un article particulier, consulter le fabricant pour déterminer si l'article est lavable au lave-vaisselle.

<b>MATIÈRE</b>	<b>LAVABLE AU LAVE-VAISSELLE?</b>	<b>EXCEPTIONS/RENSEIGNEMENTS SPÉCIAUX</b>
<b>Acier inoxydable</b>	<b>Oui</b>	Exécuter un programme "Rinçage Seulement" si les articles ne sont pas lavés immédiatement. Le contact prolongé avec des produits alimentaires contenant sel, vinaigre, produits laitiers ou jus de fruit peut endommager la finition.
<b>Aluminium</b>	<b>Oui</b>	Les détergents et l'eau à une température élevée peuvent affecter la finition de l'aluminium anodisé. Toute surface d'aluminium prendra une teinte plus foncée après le lavage au lave-vaisselle. Ceci n'affecte pas la performance de l'ustensile.
<b>Aluminium jetable</b>	<b>Non</b>	Ne pas laver au lave-vaisselle les assiettes jetables d'aluminium; elles peuvent se déplacer au lavage et laisser des marques noires sur d'autres assiettes et articles.
<b>Argent fin ou placage d'argent</b>	<b>Oui</b>	Exécuter un programme "Rinçage Seulement" si les articles ne sont pas lavés immédiatement. Le contact prolongé des aliments contenant sel, acide ou sulfure (oeufs, mayonnaise et fruits de mer) peut endommager la finition.
<b>Articles en bois</b>	<b>Non</b>	Laver manuellement. Consulter toujours les recommandations du fabricant avant le lavage. Le bois non traité peut gauchir, se fissurer, ou perdre sa finition.
<b>Bouteilles et bocaux</b>	<b>Non</b>	Laver manuellement les bouteilles et bocaux. Les étiquettes fixées avec de la colle se détacheraient au cours du lavage et pourraient obstruer la pompe ou les trous des bras d'aspersion, ce qui réduirait la performance de lavage.
<b>Couteaux à manche creux</b>	<b>Non</b>	Les manches de certains couteaux sont fixés à la lame au moyen d'un adhésif qui peut s'amollir lors d'un lavage au lave-vaisselle.
<b>Cristal</b>	<b>Oui</b>	Consulter toujours les recommandations du fabricant avant le lavage. Des lavages répétés peuvent susciter une attaque de certains types de cristal au plomb.
<b>Étain, laiton et bronze</b>	<b>Non</b>	Le détergent et l'eau à température élevée peuvent décolorer ou attaquer la finition.
<b>Fer blanc</b>	<b>Non</b>	Possibilité de rouille.
<b>Fonte</b>	<b>Non</b>	La patine serait éliminée et la fonte rouillerait.
<b>Or</b>	<b>Non</b>	Les dorures se décolorent.

# LAVAGE D'ARTICLES SPÉCIAUX

<b>MATIÈRE</b>	<b>LAVABLE AU LAVE-VAISSELLE?</b>	<b>EXCEPTIONS/RENSEIGNEMENTS SPÉCIAUX</b>
<b>Plastique jetable</b>	<b>Non</b>	Ces articles ne peuvent résister aux températures élevées et aux détergents.
<b>Plastique</b>	<b>Oui</b>	Consulter toujours les recommandations du fabricant avant le lavage. La résistance des matières plastiques à l'eau à température élevée et aux détergents est variable. Charger les articles de plastique dans le panier supérieur seulement.
<b>Porcelaine/ faïence</b>	<b>Oui</b>	Consulter toujours les recommandations du fabricant avant le lavage. Les finitions antiques ou de peinture manuelle et autres décorations par-dessus le glaçage peuvent pâlir. Les dorures peuvent se décolorer ou pâlir.
<b>Verre</b>	<b>Oui</b>	Des lavages répétitifs font jaunir les verres opaques.



# UTILISATION DES DISTRIBUTEURS

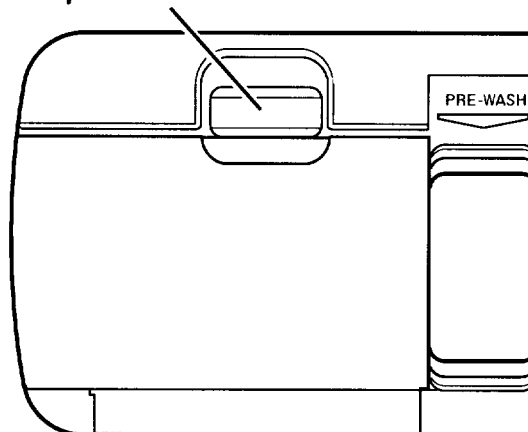
Pour l'obtention des meilleurs résultats, il est important d'utiliser la quantité correcte de détergent et d'agent de rinçage. Lire cette section pour utiliser correctement les deux distributeurs.

## Le distributeur de détergent

Le distributeur de détergent comporte 2 sections. La section plus petite (prélavage) vide le détergent dans le lave-vaisselle lors de la fermeture de la porte. La section plus grande (lavage principal) vide le détergent dans le lave-vaisselle au cours du programme de lavage.

1. Si le couvercle du distributeur est fermé, ouvrir le couvercle en tournant le bouton bleu.

Faire tourner le bouton bleu pour ouvrir



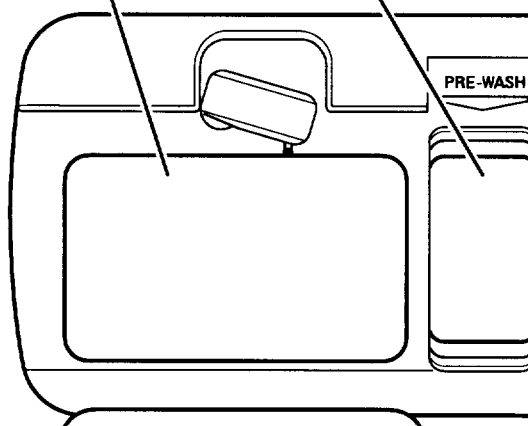
2. Remplir de détergent la section "Lavage Principal". La quantité de détergent nécessaire dépend de la quantité de résidus alimentaires sur la vaisselle et de la dureté de l'eau. Voir le tableau de dosage du détergent plus loin dans cette section.

Section "Lavage Principal"

Section "Prélavage"

3. Fermer le couvercle du distributeur et remplir la section "Prélavage".

**REMARQUE :** Ne pas utiliser de détergent pour le programme "Rinçage Seulement".



# UTILISATION DES DISTRIBUTEURS

## Utilisation du distributeur de détergent

### Type de détergent à utiliser

- Utiliser uniquement un détergent pour lave-vaisselle automatique.

**REMARQUE :** Ne jamais utiliser de savon, détergent pour lavage manuel de la vaisselle ou détergent pour lavage du linge. Ces produits génèrent une quantité excessive de mousse qui peut provoquer une inondation et réduire le rendement de lavage.

- Respecter les instructions du fabricant lors de l'utilisation d'un détergent pour lave-vaisselle sous forme de poudre, liquide ou gel. Un détergent en poudre concentré (Ultra) implique habituellement l'emploi d'une plus petite quantité que pour un détergent en poudre standard.

- Verser le détergent dans le distributeur juste avant la mise en marche du lave-vaisselle.
- Veiller à conserver le paquet de détergent bien fermé en un lieu frais et sec, hors d'atteinte des enfants. Après l'ouverture, le détergent d'un paquet peut rester utilisable pendant environ un mois. Le détergent exposé à l'humidité pendant une période prolongée peut s'agglomérer et devenir inefficace.

## Quantité de détergent à utiliser

### DURETÉ DE L'EAU

**Eau douce ou moyennement dure**  
0 à 6 grains par gallon

### QUANTITÉ DE DÉTERGENT

#### Pour une charge normale :

- Remplir partiellement la section "Lavage Principal" (30 grammes ou 2 c. à soupe)
- Remplir la section "Prélavage" (30 grammes ou 2 c. à soupe)

**REMARQUE :** Ajouter seulement 15 grammes ou 1 c. à soupe de détergent dans la section "Prélavage" si la vaisselle a déjà été prérincée ou si l'eau est très douce.

#### Pour une charge de vaisselle très souillée :

- Remplir la section "Lavage Principal" (45 grammes ou 3 c. à soupe)
- Remplir la section "Prélavage" (30 grammes ou 2 c. à soupe)

**Eau de dureté moyenne à élevée**  
7 à 12 grains par gallon

#### Pour une charge normale et très souillée :

- Remplir la section "Lavage Principal" (45 grammes ou 3 c. à soupe)
- Remplir la section "Prélavage" (30 grammes ou 2 c. à soupe)

suite à la page suivante

## Quantité de détergent à utiliser (suite)

DURETÉ DE L'EAU	QUANTITÉ DE DÉTERGENT
<p><b>Eau très dure</b> 13 grains et au-dessus</p>	<p><b>Pour une charge normale :</b></p> <ul style="list-style-type: none"> <li>• Remplir la section "Lavage principal" (45 grammes ou 3 c. à soupe)</li> <li>• Remplir la section "Prélavage" (30 grammes ou 2 c. à soupe)</li> <li>• Tourner le distributeur d'agent de rinçage à un réglage plus élevé. Voir "Utilisation du distributeur d'agent de rinçage" plus loin dans cette section.</li> </ul> <p><b>REMARQUE :</b> Dans des conditions anormales d'eau dure (13 grains et au-dessus), il peut être nécessaire d'utiliser le programme Light China "Porcelaine légère" pour le meilleur rendement de lavage.</p> <p><b>Pour une charge de vaisselle très souillée :</b></p> <ul style="list-style-type: none"> <li>• Remplir la section "Lavage principal" (45 grammes ou 3 c. à soupe)</li> <li>• Remplir la section "Prélavage" (30 grammes ou 2 c. à soupe)</li> <li>• Tourner le distributeur d'agent de rinçage à un réglage plus élevé. Voir "Utilisation du distributeur d'agent de rinçage" plus loin dans cette section.</li> </ul> <p><b>REMARQUE :</b> Dans des conditions anormales d'eau dure (13 grains et au-dessus), il peut être nécessaire d'utiliser le programme Pots &amp; Pans (Casseroles) pour le meilleur rendement de lavage.</p>
<p>Les détergents à lave-vaisselle des diverses marques peuvent contenir diverses quantités de phosphore pour l'adoucissement de l'eau. Si en présence d'eau dure on utilise un détergent à teneur en phosphore inférieure à 8,7 %, il peut être nécessaire d'utiliser une plus grande quantité de détergent, ou de choisir un détergent dont la teneur en phosphore est supérieure à 8,7 %.</p> <ul style="list-style-type: none"> <li>• La combinaison d'une quantité excessive de détergent et d'une eau douce peut provoquer une attaque de la verrerie.</li> </ul>	<p><b>REMARQUE :</b> La dureté de l'eau peut changer avec le temps. Pour déterminer la dureté de l'eau disponible, contacter le service local d'eau ou une compagnie locale de traitement/adoucissement de l'eau, ou commander la bande pour tester la dureté de l'eau numéro de pièce 4171690 au Centre d'assistance aux consommateurs.</p>

# UTILISATION DES DISTRIBUTEURS

## Utilisation du distributeur d'agent de rinçage

Un agent de rinçage empêche l'eau de former des gouttelettes qui peuvent sécher en laissant des taches ou traces sur les surfaces. Il améliore également le séchage en permettant à l'eau de s'écouler de la vaisselle au cours du rinçage final lorsqu'une petite quantité d'agent de rinçage est libérée dans l'eau de rinçage. Ce lave-vaisselle est conçu pour l'utilisation d'un agent de rinçage liquide. Ne pas utiliser un agent de rinçage solide ou en barre.

### Remplissage du distributeur

Le distributeur d'agent de rinçage peut contenir 153,7 mL (5,2 oz) d'agent de rinçage. Dans les conditions normales, cette quantité suffit pour trois mois d'utilisation environ. Il n'est pas nécessaire d'attendre que le distributeur soit vide pour le remplir de nouveau. **Essayer de maintenir le distributeur plein, mais veiller à ne pas le remplir excessivement.**

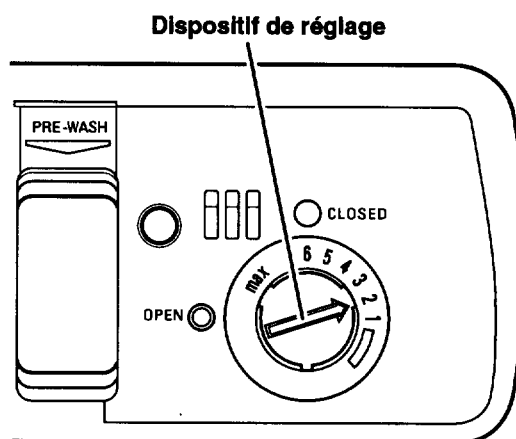
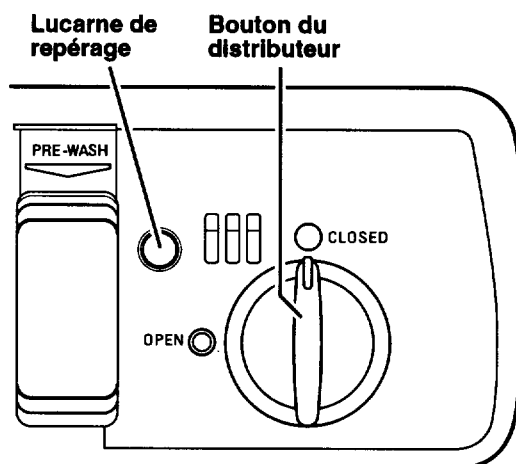
1. Vérifier que la porte du lave-vaisselle est complètement ouverte.
2. Faire tourner le bouton du distributeur jusqu'à la position d'ouverture et soulever pour l'enlever.
3. Verser l'agent de rinçage jusqu'à ce que la lucarne de repérage indique que le distributeur est plein. En cas de remplissage excessif, l'agent de rinçage peut déborder et provoquer un moussage excessif au cours du programme de lavage.
4. Enlever tout agent de rinçage renversé avec un chiffon humide.
5. Réinstaller le bouton du distributeur et le placer à la position de fermeture.

### Réglage du dosage d'agent de rinçage

La quantité d'agent de rinçage libérée dans l'eau du rinçage final est réglable. Le réglage de l'usine correspond à l'indice 2. On peut généralement régler le dispositif à 1 ou 2. Si on observe des traces ou dépôts de calcium sur la vaisselle, essayer un réglage plus élevé (4, 5, ou 6).

#### Réglage du dosage

Ôter le bouton du distributeur, puis faire tourner le dispositif de réglage à l'intérieur du distributeur jusqu'à la position de réglage désirée.



# UTILISATION DU LAVE-VAISSELLE

On décrit dans cette section les méthodes d'utilisation du lave-vaisselle. L'utilisation correcte du lave-vaisselle permet l'obtention des meilleurs résultats de lavage.

## Tableau de sélection des programmes

Le lave-vaisselle exécutera le lavage et le séchage conformément aux sélections effectuées au tableau de commande. Le lave-vaisselle se souvient du dernier programme et des dernières options qui ont été exécutées. Il vous suffit d'appuyer sur la touche de mise en marche (Start) si vous désirez utiliser le même programme et les mêmes options. Toutefois, si le dernier programme que vous avez complété était Rinçage seulement, le lave-vaisselle exécutera un programme normal si vous appuyez sur la touche de mise en marche.

PROGRAMME	Une marque "✓" indique les étapes exécutées au cours de chaque programme.								
	Prélavage	Rinçage	Lavage principal	Rinçage	Purge ††	Rinçage	Séchage	Durée (minutes)	Consommation d'eau (litres/gallons)
<b>POTS &amp; PANS</b>	✓	✓	✓	✓		✓	✓	88†	41/11,0
Utiliser ce programme pour les casseroles, marmites, ustensiles à cuisson, vaisselle régulière difficiles à nettoyer, et dans des conditions d'eau plus dure que normale.									
<b>NORMAL</b>	✓		✓		✓	✓	✓	75†	26/7,0
Utiliser ce programme pour les charges de vaisselle modérément souillée de résidus alimentaires. (L'indice de consommation d'énergie est déterminé à partir de ce programme.)									
<b>LIGHT CHINA</b>	✓		✓	✓		✓	✓	65†	33/8,8
Utiliser ce programme pour le lavage de porcelaine, cristal et autres articles délicats.									
<b>RINSE ONLY</b>	✓							7,5	8/2,2
Utiliser ce programme pour le rinçage de vaisselle, verres et couverts qui ne sont pas immédiatement soumis à un lavage complet. • Ne pas utiliser de détergent pour le programme "Rinçage Seulement".									
† Prévoir une durée totale plus longue si l'eau introduite dans le lave-vaisselle n'est pas assez chaude.									
†† Une petite quantité d'eau s'écoule par la pompe pour enlever les particules de saletés entre le lavage principal et le rinçage final.									

# UTILISATION DU LAVE-VAISSELLE

## Annulation d'un programme

On peut annuler un programme à tout moment au cours de son exécution.

1. Appuyer sur la touche à annuler une fois, et puis attendez. Il y a une pause de cinq secondes entre la pression sur la touche Cancel et le début de la vidange.

CANCEL

2. Laisser le lave-vaisselle se vider complètement.

## Sélection des options

Appuyer sur une touche pour sélectionner une option. Si on change d'idée, il suffit d'appuyer de nouveau sur la touche pour désactiver l'option. Pour sélectionner une option différente, appuyer sur une autre touche.

### Lavage à haute température

Utiliser cette option et l'eau se chauffera pendant le lavage principal pour le meilleur nettoyage de la vaisselle très sale. Le chauffage de l'eau est automatique dans les fonctions de lavage et du rinçage final du programme de casseroles, et au rinçage final des programmes "Normal" et "Porcelaine".

HIGH  
TEMP.  
WASH

### Séchage Économique

Utiliser cette option pour le séchage à l'air de la vaisselle, sans application de chaleur. Pour obtenir le meilleur résultat, veiller à ce que le distributeur d'agent de rinçage soit rempli.

Dans certaines conditions (eau dure, distributeur d'agent de rinçage vide, présence d'articles de plastique dans la charge, etc.), l'eau peut laisser des traces sur les articles de plastique, la vaisselle et les couverts.

ENERGY  
SAVER  
DRY

### Attente

La lumière Delay Hours (Heures Différées) s'allume lorsque le lave-vaisselle a été réglé pour une mise en marche différée. La lumière de temps différé s'éteindra lorsque le programme commence. Voir "Programmation pour un lavage différé" plus loin dans cette section.

DELAY  
HOURS

# UTILISATION DU LAVE-VAISSELLE

## Lumières du panneau de commandes

Le moniteur des programmes vous permet de voir quelle portion d'un programme fonctionne dans le lave-vaisselle. La lumière Clean (Propre) s'allume lorsqu'un programme est terminé. Toutes les autres lumières s'éteignent. La lumière Clean s'éteindra lorsque vous ouvrez la porte.



### Lumière de chauffage de l'eau

La lumière de chauffage de l'eau s'allume pendant que l'eau chauffe dans le lave-vaisselle. L'action de lavage ou de rinçage continue pendant que l'eau chauffe.



## Utilisation du système de verrouillage pour enfants

### Témoin du verrouillage pour enfants

Utiliser le système de verrouillage pour enfants pour empêcher la mise en marche accidentelle du lave-vaisselle. Lorsque la fonction de verrouillage pour enfants est activée, il est impossible de sélectionner un programme de lavage ou des options, et le lave-vaisselle ne peut se mettre en marche.



**REMARQUE :** Il demeure possible d'ouvrir la porte du lave-vaisselle.

### Activation du verrouillage pour enfants

Appuyer sur la touche "Séchage Économique" pendant 5 secondes. Le témoin lumineux de verrouillage pour enfants sera illuminé pendant 30 secondes. Tous les autres témoins lumineux seront éteints. Le témoin lumineux de verrouillage pour enfants s'allumera de nouveau pendant 30 secondes si on appuie sur une touche.



### Désactivation du verrouillage pour enfants

Appuyer de nouveau sur la touche "Séchage économique" pendant 5 secondes. Le témoin "Verrouillage pour enfants" s'éteint.

# UTILISATION DU LAVE-VAISSELLE

## Modifications des réglages

### Au cours premières des 2 minutes d'un programme

Appuyer sur de nouvelles touches de sélection de programme et d'options.

### Après les 2 premières minutes d'un programme

1. Appuyer sur la touche d'annulation Cancel pour commander la vidange de l'eau et réactiver les commandes.



2. Ouvrir la porte et vérifier que le distributeur de détergent est convenablement rempli pour le nouveau programme.
3. Fermer la porte.
4. Appuyer sur de nouvelles touches de sélection de programme et d'options, puis appuyer sur la touche de mise en marche Start.

**REMARQUE :** Si le lave-vaisselle ne se met pas en marche, vérifier que la fonction de lavage différé n'a pas été sélectionnée.

## Addition de vaisselle pendant l'exécution d'un programme

Il est possible d'ajouter un article dans le lave-vaisselle au cours des 10 premières minutes d'un programme.

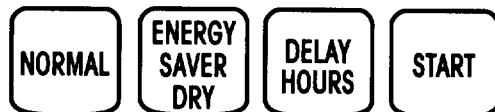
1. Déverrouiller la porte pour interrompre l'exécution du programme. Attendre l'arrêt des bras d'aspersion avant d'ouvrir la porte.
2. Ouvrir la porte et ajouter les articles.
3. Fermer la porte.
4. Le lave-vaisselle se remet en marche automatiquement après une pause de 5 secondes lors de la fermeture de la porte.



# UTILISATION DU LAVE-VAISSELLE

## Programmation pour un lavage différé

Pour faire fonctionner votre lave-vaisselle pendant les heures hors de pointe, ou pendant votre absence, vous pouvez différer la mise en marche d'un programme pour 2, 4, ou 6 heures. Pour différer la mise en marche, suivre ces étapes :



**Exemple pour programme de lavage Normal différé, avec séchage économique**

1. Sélectionner avec la touche appropriée le programme de lavage désiré. Voir "Tableau de sélection des programmes" aux pages précédentes dans cette section pour les descriptions de programmes.
2. Sélectionner une option avec la touche appropriée. Si on change d'idée, appuyer de nouveau sur la touche pour désactiver l'option. Pour sélectionner une option différente, appuyer sur une autre touche. Voir "Sélection d'options" aux pages précédentes dans cette section.
3. Appuyer sur la touche des heures différées une fois pour un temps différé de deux heures, deux fois pour quatre heures, ou trois fois pour six heures, ensuite appuyer sur la touche de mise en marche. Le chiffre au-dessus de la touche Delay Hours s'illuminera et le lave-vaisselle commencera le programme au bout du nombre d'heures que vous avez choisi.
4. Pour faire cesser les heures différées, appuyer sur la touche jusqu'à ce qu'aucun numéro ne soit illuminé au-dessus de la touche.

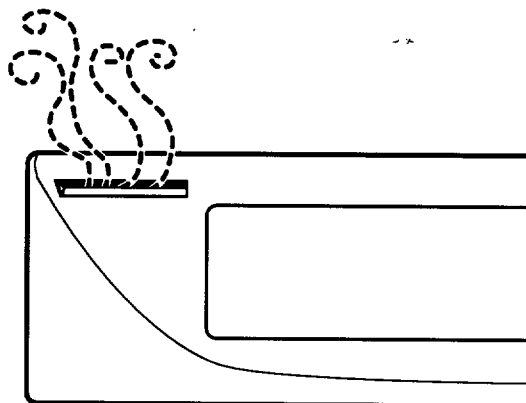
### IMPORTANT :

- Utilisez votre lave-vaisselle seulement quand vous êtes chez vous.
- Si la résidence est équipée d'un adoucisseur d'eau, vérifier que le lave-vaisselle n'est pas programmé pour la mise en marche au cours de la régénération de l'adoucisseur.

## Système de séchage

Au cours du séchage, de la vapeur s'échappe par l'évent dans l'angle supérieur gauche de la porte. Ceci est normal. Cette vapeur provient de l'humidité qui s'échappe du lave-vaisselle au cours du séchage.

**IMPORTANT :** La vapeur est chaude. Ne pas toucher l'évent au cours du séchage.



## Conseils pour le fonctionnement silencieux

Pour éviter que l'appareil émette des bruits de choc et cliquetis au cours du fonctionnement :

- Veiller à ce que les articles légers soient immobilisés dans le panier.
- Veiller à ce que les couvercles et poignées d'ustensiles, tôles à pizza, tôles à biscuits, etc. ne touchent pas les parois du lave-vaisselle et n'entravent pas la rotation des bras d'aspersion.

- Lorsque c'est possible, charger les articles de telle manière qu'ils ne se touchent pas.

**REMARQUE :** Laisser la bonde de l'évier en place pendant le fonctionnement du lave-vaisselle pour éviter la transmission du son par les canalisations d'égout.

## Sons normaux émis au cours du fonctionnement

On peut normalement entendre certains sons émis lors du fonctionnement du lave-vaisselle :

- Bruit d'ouverture ou de fermeture de la valve de remplissage, et son de l'eau pénétrant dans le lave-vaisselle.
- Broyage de résidus alimentaires dans le broyeur.

- Action de lavage/rinçage des bras d'aspersion. Pour minimiser le bruit de l'eau circulant sur la vaisselle, voir la section "Chargement du lave-vaisselle".
- Pompage de l'eau lors des vidanges au cours d'un programme.
- Ouverture du réceptacle à détergent.
- Bruit de mise en marche du moteur de la pompe.

## Conseils pour l'économie d'énergie

- Régler le chauffe-eau de la résidence pour qu'il alimente le lave-vaisselle en eau à une température d'au moins 49°C (120°F).

### Contrôle de la température de l'eau :

1. Laisser l'eau chaude couler par le robinet le plus proche du lave-vaisselle. Placer sous le robinet une tasse avec un thermomètre à viande ou à confiserie.

2. Laisser l'eau chaude couler pendant au moins une minute dans la tasse, en la laissant déborder. Lire la température. Si la température de l'eau est inférieure à 49°C (120°F),



demander à une personne compétente de régler le thermostat du chauffe-eau.

- Faire fonctionner le lave-vaisselle seulement avec une charge complète.
- Utiliser uniquement le programme et les options nécessaires.
- Faire fonctionner le lave-vaisselle hors des périodes de pointe de consommation, si la compagnie de distribution propose des tarifs réduits pendant certaines périodes de la journée.
- Faire fonctionner l'appareil la nuit au cours de l'été pour éviter l'introduction de chaleur dans la maison au cours de la journée.
- Ne pas rincer la vaisselle avant le chargement.
- Utiliser l'option de "Séchage Économique".

# ENTRETIEN DU LAVE-VAISSELLE

Ce lave-vaisselle a été conçu pour qu'il fournisse de nombreuses années de service fiable. Cependant, pour que l'appareil continue à fonctionner correctement, il convient d'exécuter certaines opérations d'entretien décrites dans cette section.

## Système de lavage HYDRO SWEEP\*

Le système de lavage HYDRO SWEEP dont est doté ce lave-vaisselle produit d'excellents résultats de lavage. L'eau de lavage est constamment filtrée par un système de triple filtration et rétention des débris qui empêche les particules de produits alimentaires de se redéposer sur la vaisselle propre.

### Le filtre

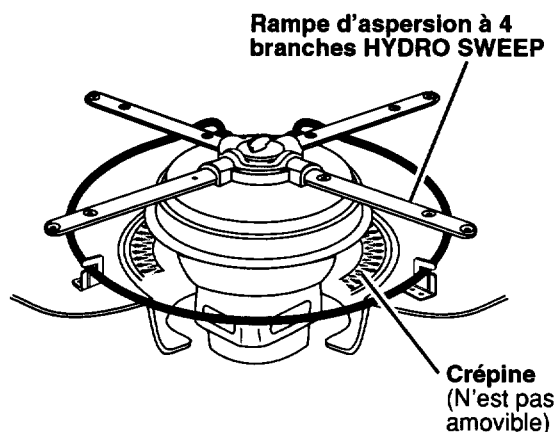
Le filtre assure en permanence la filtration de l'eau de lavage et retient les particules alimentaires qui ont été détachées de la vaisselle. Il reste toujours une petite quantité d'eau sous le filtre, qui entretient l'humidité du joint de la pompe.

### Les jets d'eau

Les particules alimentaires sont enlevées du filtre ultra-fin par 2 jets d'eau qui sont situés sous la rampe d'aspersion à 4 branches HYDRO SWEEP.

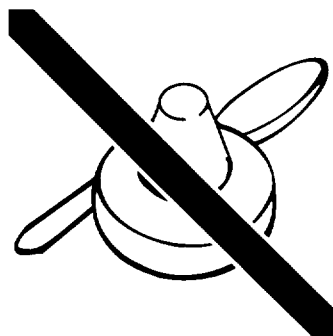
### La crépine à débris

La crépine à gros débris retient des objets de grande taille comme os, noyaux et autres gros objets, et les empêche de pénétrer dans le système de pompage. On doit périodiquement inspecter la crépine pour en enlever les articles qui ont pu être introduits accidentellement dans le lave vaisselle.



## Flotteur de protection contre le débordement

Le flotteur de protection contre le débordement, dans l'angle avant droit de la cuve du lave-vaisselle, empêche un remplissage excessif du lave-vaisselle. Pour que le lave-vaisselle puisse fonctionner, il faut que ce flotteur soit en place. Inspecter et rechercher sous le flotteur les objets qui pourraient l'empêcher de se déplacer verticalement.



Rechercher des objets étrangers sous le flotteur de protection

## Nettoyage du lave-vaisselle

### **Nettoyage des surfaces intérieures**

Si des dépôts minéraux provenant de l'eau dure s'accumulent à l'intérieur du lave-vaisselle, nettoyer avec un linge humide ou suivre les instructions indiquées dans "Enlèvement des taches et du film" dans la section "Solutions aux problèmes communs de lavage de vaisselle".

- Ne pas nettoyer les surfaces intérieures du lave-vaisselle avant qu'il ait refroidi.
- Ne pas utiliser un produit de nettoyage susceptible de générer de la mousse. Utiliser les produits de nettoyage conçus pour les produits d'acier inoxydable.

- Faire exécuter au lave-vaisselle un programme de lavage "Normal" avec du détergent après avoir terminé le nettoyage des surfaces intérieures.

### **Nettoyage des surfaces extérieures**

Essuyer avec un linge humide le tableau de commande et les surfaces frontales et latérales; laisser ensuite sécher. Ne jamais utiliser un détergent ou produit de nettoyage abrasif susceptible d'endommager la finition.

## Remisage du lave-vaisselle

### Déménagement ou hivérisation du lave-vaisselle

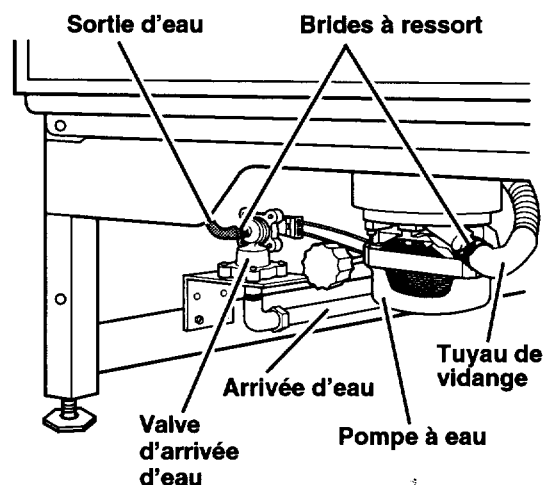
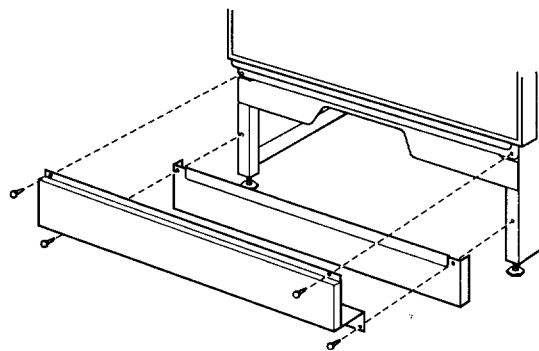
Protéger le lave-vaisselle et l'habitation contre les dommages par l'eau, attribuables au gel des conduits d'eau. Si le lave-vaisselle est laissé dans une résidence saisonnière ou risque d'être exposé à des températures près du degré de congélation, faire exécuter les opérations suivantes par une personne qualifiée :

1. Déconnecter la source de courant électrique ou débrancher le lave-vaisselle.
2. Fermer l'approvisionnement d'eau au lave-vaisselle.
3. Enlever les 4 vis du panneau d'accès inférieur et retirer ce panneau.
4. Placer un récipient de faible profondeur sous la valve d'arrivée d'eau. Puis, utiliser une clé à molette pour déconnecter l'arrivée d'eau de la valve d'arrivée d'eau. Séparer l'arrivée d'eau de la valve d'arrivée d'eau et vidanger l'eau dans le récipient.
5. Ôter la bride à ressort du conduit de sortie d'eau et le séparer de la valve d'arrivée d'eau; vidanger l'eau dans le récipient.
6. Reconnecter les conduits d'arrivée d'eau et de sortie d'eau à la valve d'arrivée d'eau.
7. Vider le récipient et le replacer sous la pompe à eau.
8. Ôter la bride et déconnecter le tuyau de vidange de la pompe à eau; vidanger l'eau dans le récipient.
9. Reconnecter le tuyau de vidange à la pompe à eau, et s'assurer de placer la bride sur la connexion.
10. Replacer le panneau d'accès inférieur.

**REMARQUE :** Si le lave-vaisselle est relié à un broyeur, ne pas faire couler l'eau dans l'évier après l'hivérisation. Le tuyau de vidange du lave-vaisselle risquerait de se remplir d'eau de nouveau.

### Remisage pour l'été

Protéger le lave-vaisselle au cours des mois d'été en fermant l'approvisionnement d'eau et déconnecter le lave-vaisselle de l'alimentation électrique.



## Remisage du lave-vaisselle (suite)

### Remise en service du lave-vaisselle après le remisage

1. Enlever les 4 vis du panneau d'accès inférieur et retirer ce panneau.
2. Ouvrir l'approvisionnement d'eau au lave-vaisselle.
3. Reconnecter la source de courant électrique ou brancher le lave-vaisselle.
4. Laisser le lave-vaisselle exécuter un programme complet et vérifier s'il y a des fuites.
5. Replacer le panneau d'accès inférieur.

## Le brise-siphon

### Inspecter le brise-siphon chaque fois que le lave-vaisselle ne se vide pas bien.

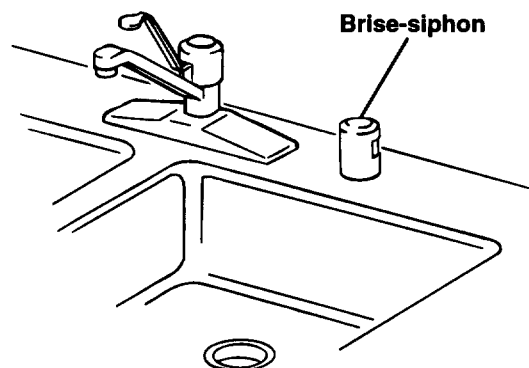
Dans certaines juridictions, le code local des installations de plomberie exige l'installation d'un brise-siphon entre un lave-vaisselle encastré et la canalisation d'égout de la résidence. Ce dispositif protège le lave-vaisselle contre un reflux d'eau advenant l'obstruction d'une canalisation d'égout.

Le brise-siphon est généralement situé sur l'évier ou le comptoir près du lave-vaisselle. Pour commander le composant brise-siphon (pce n° 300096), contacter le concessionnaire local. On peut également téléphoner au 1-800-422-1230 aux É.-U., ou voir la section "Note à l'utilisateur".

**REMARQUE :** Le brise-siphon est un composant de plomberie externe qui n'est pas incorporé au lave-vaisselle. La garantie accordée pour le lave-vaisselle ne couvre pas les frais d'entretien imputables au nettoyage ou à la réparation du brise-siphon externe.

### Nettoyage du brise-siphon :

Nettoyer périodiquement le composant brise-siphon pour garantir la vidange correcte du lave-vaisselle. Exécuter les instructions de nettoyage fournies par le fabricant du composant. Pour la plupart des types, on doit enlever le couvercle chromé, dévisser le capuchon de plastique, puis rechercher toute accumulation de saletés. Nettoyer si c'est nécessaire.



## ONS DES PROBLÈMES COMMUNS DU LAVE-VAISSELLE

On décrit dans cette section comment résoudre certains problèmes mineurs qui peuvent affecter la performance de l'appareil. Consulter ce tableau avant de contacter un dépanneur. S'il n'est pas possible de résoudre le problème, consulter également le tableau de "Diagnostic" aux pages 34 et 35 avant de contacter un service de dépannage.

### Lavage incomplet de la vaisselle

PROBLÈME	CAUSE	SOLUTION
<b>Résidus de produits alimentaires sur les plats</b>	Ralentissement de la rotation des bras d'aspersion du fait d'un moussage excessif	Utiliser uniquement les détergents recommandés pour les lave-vaisselle, et pas de savon ni de détergent destiné au lavage du linge. Ne pas trop remplir le distributeur d'agent de rinçage; récupérer par essuyage tout produit renversé avant d'exécuter un programme.
	Chargement incorrect	Exécuter les instructions de chargement présentées aux pages 9 à 13.
	Remplissage insuffisant du fait d'une pression d'eau insuffisante	La pression du circuit de distribution devrait être de 138 à 828 kPa (20 à 120 lb/po <sup>2</sup> ) pour que le lave-vaisselle se remplisse correctement. Si la pression est insuffisante, il peut être nécessaire d'installer une pompe de surpression dans la canalisation.
	Utilisation d'un détergent inefficace, incorrect ou en quantité insuffisante	Utiliser uniquement les détergents recommandés pour le lave-vaisselle et seulement les quantités spécifiées (voir les quantités aux pages 17 et 18), mais ne jamais utiliser une quantité inférieure à une cuillerée à soupe ou 15 mL. Pour qu'il soit efficace, il faut que le détergent soit frais. Entreposer toujours le détergent en un lieu frais et sec dans un conteneur bien fermé.
	Agglomération du détergent dans le distributeur	Ajouter le détergent juste avant la mise en marche du lave-vaisselle. Utiliser un détergent frais et enlever tout détergent aggloméré avant de remplir le distributeur. Lors de l'utilisation de la fonction de lavage différé, vérifier que le distributeur est sec avant d'ajouter le détergent.
	Température de l'eau insuffisante	Si nécessaire, régler le chauffe-eau pour une température plus élevée, pour que le lave-vaisselle soit alimenté par de l'eau à au moins 49°C (120°F). Voir à la page 25 la méthode recommandée à la rubrique "Conseils pour l'économie d'énergie".

# SOLUTIONS DES PROBLÈMES COMMUNS DU LAVE-VAISSELLE

## Séchage incomplet de la vaisselle

PROBLÈME	CAUSE	SOLUTION
<b>Séchage incomplet de la vaisselle</b>	Température insuffisante de l'eau	Si nécessaire, régler le chauffe-eau pour une température plus élevée, pour que le lave-vaisselle soit alimenté par de l'eau à au moins 49°C (120°F). Voir à la page 25 la méthode recommandée à la rubrique "Conseils pour l'économie d'énergie".
	Écoulement insuffisant de l'eau sur la vaisselle	Ne pas trop charger le lave-vaisselle afin que l'eau puisse s'en écouler correctement, et utiliser un agent de rinçage liquide pour faciliter le séchage. Voir les instructions de chargement correct aux pages 9 à 13. Ne pas utiliser l'option de séchage économique.
	Manque d'agent de rinçage	Remplir le distributeur d'agent de rinçage. Voir les instructions à la page 19.
	Articles de plastique	Certains articles de plastique peuvent nécessiter un séchage manuel avec un torchon.
	Emploi de l'option de "Séchage Économique"	Ne pas utiliser l'option de "Séchage Économique" pour la charge de vaisselle suivante.

## Détérioration de la vaisselle au cours du lavage

PROBLÈME	CAUSE	SOLUTION
<b>Écaillage sur la vaisselle</b>	Chargement incorrect	Charger la vaisselle et les verres de telle manière qu'ils soient stables et qu'ils ne se heurtent pas mutuellement sous l'effet du lavage. Manoeuvrer doucement les paniers sur leurs glissières pour minimiser les chocs.  <b>REMARQUE :</b> Laver manuellement certains types de porcelaine et verrerie, comme les articles antiques et de cristal mince.
<b>Taches noires ou grises sur la vaisselle</b>	Contact avec des articles d'aluminium	Charger les articles d'aluminium de telle manière qu'ils ne puissent pas se frotter contre d'autres articles au cours du lavage. Ne pas laver au lave-vaisselle des articles jetables en aluminium. Pour éliminer les marques d'aluminium, utiliser un produit de nettoyage moyennement abrasif.



## Séchage incomplet de la vaisselle

PROBLÈME	CAUSE	SOLUTION
<b>Séchage incomplet de la vaisselle</b>	Température insuffisante de l'eau	Si nécessaire, régler le chauffe-eau pour une température plus élevée, pour que le lave-vaisselle soit alimenté par de l'eau à au moins 49°C (120°F). Voir à la page 25 la méthode recommandée à la rubrique "Conseils pour l'économie d'énergie".
	Écoulement insuffisant de l'eau sur la vaisselle	Ne pas trop charger le lave-vaisselle afin que l'eau puisse s'en écouler correctement, et utiliser un agent de rinçage liquide pour faciliter le séchage. Voir les instructions de chargement correct aux pages 9 à 13. Ne pas utiliser l'option de séchage économique.
	Manque d'agent de rinçage	Remplir le distributeur d'agent de rinçage. Voir les instructions à la page 19.
	Articles de plastique	Certains articles de plastique peuvent nécessiter un séchage manuel avec un torchon.
	Emploi de l'option de "Séchage Économique"	Ne pas utiliser l'option de "Séchage Économique" pour la charge de vaisselle suivante.

## Détérioration de la vaisselle au cours du lavage

PROBLÈME	CAUSE	SOLUTION
<b>Écaillage sur la vaisselle</b>	Chargement incorrect	Charger la vaisselle et les verres de telle manière qu'ils soient stables et qu'ils ne se heurtent pas mutuellement sous l'effet du lavage. Manoeuvrer doucement les paniers sur leurs glissières pour minimiser les chocs.  <b>REMARQUE :</b> Laver manuellement certains types de porcelaine et verrerie, comme les articles antiques et de cristal mince.
<b>Taches noires ou grises sur la vaisselle</b>	Contact avec des articles d'aluminium	Charger les articles d'aluminium de telle manière qu'ils ne puissent pas se frotter contre d'autres articles au cours du lavage. Ne pas laver au lave-vaisselle des articles jetables en aluminium. Pour éliminer les marques d'aluminium, utiliser un produit de nettoyage moyennement abrasif.

## Élimination des taches et films

Veiller à ce que le distributeur d'agent de rinçage soit toujours rempli d'agent de rinçage liquide. Un agent de rinçage empêche l'eau de former des gouttelettes qui sécheraient en laissant des taches ou marques.

**Pour éliminer les taches et films** sur la vaisselle et les verres, ou un film qui s'est formé sous l'effet de l'eau dure sur la surface interne du lave-vaisselle, on peut utiliser du vinaigre blanc selon la méthode suivante :

**1.** Charger la vaisselle et les verres dans le lave-vaisselle de la manière habituelle. Ne pas charger des couverts ou autres articles métalliques dans le lave-vaisselle.

**2.** Verser 473 mL (2 tasses) de vinaigre ménager dans un verre, ou dans une tasse à mesurer lavable au lave-vaisselle, qui sera placé verticalement dans le panier inférieur.

**3.** Fermer la porte.

**4.** Sélectionner le programme de lavage "Normal" et l'option de "Séchage Économique", puis appuyer sur la touche de mise en marche Start. Ne pas utiliser de détergent. Laisser le lave-vaisselle exécuter complètement le programme.

**REMARQUE :** On ne doit exécuter cette opération qu'occasionnellement. Le vinaigre est un acide; son utilisation excessive peut faire subir des dommages au lave-vaisselle.

# DIAGNOSTIC

## Avant de contacter le service de dépannage ...

Si le lave-vaisselle ne fonctionne pas correctement, étudier le tableau suivant ainsi que la section "Solutions des problèmes communs du lave-vaisselle" aux pages 30 à 33 avant de contacter le concessionnaire. Cela pourra vous économiser le coût de la visite d'un dépanneur.

## Le lave-vaisselle ne fonctionne pas correctement

PROBLÈME	CONTRÔLER CE QUI SUIV
<b>Le lave-vaisselle ne fonctionne pas ou s'arrête au cours d'un programme</b>	Porte bien fermée? Programme approprié sélectionné? Voir page 7 et 8. Verrouillage pour enfants actif? Voir page 22. Fusible grillé ou disjoncteur ouvert? Arrivée d'eau ouverte? Arrêt du moteur du fait d'une charge excessive? Dans ce cas, l'appareil se remet en marche automatiquement après quelques minutes. Si le moteur ne se remet pas en marche, contacter le dépanneur.
<b>Le lave-vaisselle ne se remplit pas</b>	Flotteur de protection contre débordement bloqué à la position la plus élevée? Il faut que le flotteur puisse se déplacer librement verticalement. Appuyer dessus pour le libérer. Voir page 26.
<b>Le lave-vaisselle semble fonctionner trop longtemps</b>	Température de l'eau d'alimentation insuffisante? La période de fonctionnement du lave-vaisselle est plus longue lorsqu'il faut qu'il chauffe l'eau ou si on a sélectionné l'option de lavage à haute température. Régler le thermostat du chauffe-eau pour que le lave-vaisselle soit alimenté par de l'eau à au moins 49°C (120°F).
<b>Résidu d'eau dans le lave-vaisselle</b>	Attendre la fin du programme. Il est normal qu'il reste un petit résidu d'eau. Examiner le brise-siphon s'il y en a un; il est peut-être obstrué. Dans ce cas, exécuter les instructions de nettoyage du fabricant. Voir page 28.
<b>Résidu de détergent dans la section couverte du distributeur</b>	Utiliser un détergent frais, remiser le détergent en un lieu frais et sec dans un récipient bien fermé. Jeter tout détergent aggloméré. Attendre la fin du programme. Il faut que le flotteur puisse se déplacer librement verticalement. Appuyer dessus pour le libérer. Voir page 26.
<b>Résidu blanc apparent sur le panneau d'accès frontal</b>	Certains détergents liquides produisent un moussage excessif et une accumulation sur le panneau d'accès. Essayer un autre type de détergent ou une marque différente pour réduire le moussage et éliminer l'accumulation.
<b>Odeur perceptible dans le lave-vaisselle</b>	Exécuter le programme de "Rinçage Seulement" au moins une fois ou deux par jour jusqu'à l'accumulation d'une charge complète.

# DIAGNOSTIC

## Bruits

<b>PROBLÈME</b>	<b>CONTRÔLER CE QUI SUIT</b>
<b>Sons de broyage, râpage ou bourdonnement</b>	Présence d'un objet dur dans la pompe? L'émission du son devrait cesser après le broyage de l'objet. Si le son ne disparaît pas après le programme suivant, contacter le dépanneur. Voir à la page 25 "Sons normaux émis au cours du fonctionnement".

## Formation de vapeur

<b>PROBLÈME</b>	<b>CONTRÔLER CE QUI SUIT</b>
<b>Émission de vapeur par la porte</b>	Ceci est normal au cours de la phase de séchage d'un programme du lave-vaisselle. Voir "Système de séchage", page 24.

# MANDE D'ASSISTANCE OU DE SERVICE

Avant de faire un appel pour assistance ou service, consulter la section "Diagnostic". Ceci pourra peut-être vous épargner le coût de la visite d'un dépanneur. Si une aide demeure nécessaire, procéder conformément aux instructions ci-dessous.

## Demande d'assistance ou de service aux É.-U. ...

**Contactez sans frais le Centre d'assistance à la clientèle de KitchenAid au :**  
**1-800-422-1230.**



Lors du contact :

Veillez communiquer la date d'achat ainsi que le numéro de série et le numéro de modèle complet de l'appareil (voir la section "Note à l'utilisateur"). Cette information nous aidera à mieux satisfaire vos besoins.

**Nos consultants vous renseigneront sur les sujets suivants :**

- Caractéristiques et spécifications sur toute notre gamme d'appareils ménagers.
- Information pour l'installation.

- Procédures d'utilisation et d'entretien.
- Vente de pièces de rechange et accessoires.
- Assistance spécialisée à la clientèle (langue espagnole, malentendants, malvoyants, etc.).
- Concessionnaires locaux, entreprises de service et distributeurs de pièces de rechange.

**Les techniciens de service KitchenAid** ont reçu la formation qui leur permet d'effectuer les travaux de réparation sous garantie et le service après-vente sur les produits partout aux É.-U..

Vous pouvez également consulter l'annuaire téléphonique Pages jaunes pour identifier une entreprise de service agréée KitchenAid dans votre région.

## Pour acheter des pièces de rechange ...

Si vous avez besoin de commander des pièces de rechange, nous recommandons l'emploi uniquement de pièces autorisées par l'usine. Ces pièces seront facilement installées et fonctionneront bien parce qu'elles sont fabriquées avec la même

précision mise en oeuvre dans la fabrication de chaque appareil ménager KITCHENAID\* neuf. Pour obtenir des pièces de rechange autorisées par l'usine, contacter le Centre de service agréé le plus proche.

## Pour obtenir une assistance plus étendue ...

Si vous avez besoin d'une assistance plus étendue, vous pouvez écrire à KitchenAid pour nous communiquer vos questions ou préoccupations, à l'adresse suivante :

KitchenAid Brand Home Appliances  
Consumer Assistance Center  
c/o Correspondence Dept.  
2000 North M-63  
Benton Harbor, MI 49022-2692

Dans votre correspondance, veuillez indiquer un numéro de téléphone où on peut vous contacter dans la journée.

## Demande d'assistance ou de service au Canada ...

Pour obtenir de l'aide dans tout le



Canada, contacter sans frais le Centre d'assistance à la clientèle de KitchenAid Canada, 8 h 30 – 18 h (HNE) : 1-800-461-5681.

Lors du contact :

Veillez communiquer la date d'achat ainsi que le numéro de série et le numéro de modèle complet de l'appareil (voir la section "Note à l'utilisateur"). Cette information nous aidera à mieux satisfaire vos besoins.

Nos consultants vous renseigneront sur les sujets suivants :

- Caractéristiques et spécifications sur toute notre gamme d'appareils ménagers.
- Concessionnaires locaux.
- Méthodes d'utilisation et d'entretien.

Les techniciens de service KitchenAid ont reçu la formation qui leur permet d'effectuer les travaux de réparation sous garantie et le service après-vente sur les produits partout au Canada. **Pour service au Canada, téléphoner à une des numéros suivantes inscrit ci-dessous.**

### Service d'appareils ménagers KitchenAid Canada – Service aux consommateurs

Succursales de service direct :

<b>COLOMBIE-BRITANNIQUE</b>		1-800-665-6788
<b>ALBERTA</b>		1-800-661-6291
<b>ONTARIO</b> (à l'exception du code régional 807)	Région d'Ottawa	1-800-267-3456
	En dehors de la région d'Ottawa	1-800-807-6777
<b>MANITOBA, SASKATCHEWAN</b> et code régional 807 en ONTARIO		1-800-665-1683
<b>QUÉBEC</b>	Montréal (à l'exception de la rive sud)	1-800-361-3032
	Rive Sud Montréal	1-800-361-0950
	Québec	1-800-463-1523
	Sherbrooke	1-800-567-6966
<b>PROVINCES DE L'ATLANTIQUE</b>		1-800-565-1598

suite à la page suivante

## MANDE D'ASSISTANCE OU DE SERVICE

### **Pour acheter des pièces de rechange ...**

Si vous avez besoin de commander des pièces de rechange, nous recommandons l'emploi uniquement de pièces autorisées par l'usine. Ces pièces seront facilement installées et fonctionneront bien parce qu'elles sont fabriquées avec la même

précision mise en oeuvre dans la fabrication de chaque appareil ménager KITCHENAID\* neuf. Pour obtenir des pièces de rechange autorisées par l'usine, contacter le Centre de service agréé le plus proche.

### **Pour obtenir une assistance plus étendue ...**

Si vous avez besoin d'une assistance plus étendue, vous pouvez écrire à KitchenAid Canada pour nous communiquer vos questions ou préoccupations, à l'adresse suivante :

Service des relations avec la clientèle  
KitchenAid Canada  
1901 Minnesota Court  
Mississauga, Ontario L5N 3A7

Dans votre correspondance, veuillez indiquer un numéro de téléphone où on peut vous contacter dans la journée.

# INDEX

Cet index est alphabétique. Rechercher le mot ou la phrase désirée pour identifier la page où on l'y trouve.

<b>SUJET</b>	<b>PAGE</b>	<b>SUJET</b>	<b>PAGE</b>
AGENT DE RINÇAGE		Modification d'un réglage .....	23
Utilisation .....	19	Programmation pour mise en marche différée .....	24
ARTICLES SPÉCIAUX		GARANTIE .....	40
Conseils pour le lavage .....	14	GUIDE DE MISE EN MARCHÉ .....	6
ASSISTANCE		LUMIÈRES DU PANNEAU DE COMMANDE .....	22
Au Canada .....	37, 38	MISE EN MARCHÉ DIFFÉRÉE .....	24
Aux É.-U. ....	36	NETTOYAGE	
BRISE-SIPHON .....	29	Extérieur .....	27
BRUITS		Intérieur .....	27
Bruit normalement émis .....	25	OPTIONS	
Conseils pour fonctionnement silencieux ...	25	Sélection .....	21
CARACTÉRISTIQUES/COMPOSANTS .....	4	PANIER À COUVERTS .....	13
CHARGEMENT		PANIER INFÉRIEUR .....	11
Panier à couverts .....	13	PANIER SUPÉRIEUR	
Panier inférieur .....	11	Chargement .....	9
Panier supérieur .....	9	PROBLÈMES COMMUNS DU LAVE-VAISSELLE	
Préparation du chargement .....	9	Solutions .....	30 à 33
COMPOSANTS/CARACTÉRISTIQUES .....	4	PROGRAMME	
DÉTERGENT		Annulation .....	21
Quantité .....	17, 18	Tableau de sélection .....	20
Type .....	17	PROTECTION CONTRE DÉBOURDEMENT .....	26
DIAGNOSTIC .....	34	REMISAGE .....	28
DISTRIBUTEUR		RESPONSABILITÉS	
Agent de rinçage .....	19	Propriétaire .....	2
Détergent .....	16	SÉCURITÉ .....	3
EAU		SERVICE	
Contrôle de la température .....	25	Au Canada .....	37, 38
ÉNERGIE		Aux É.-U. ....	36
Économie .....	25	SYSTÈME DE SÉCHAGE .....	24
ENTRETIEN		TACHES/FILM	
Brise-siphon .....	29	Élimination .....	33
Flotteur - protection contre débordement ...	26	VAPEUR .....	24
Nettoyage .....	27	VERROUILLAGE POUR ENFANTS .....	22
Remisage .....	28		
Système de lavage HYDRO SWEEP* .....	26		
FILM/TACHES			
Élimination .....	33		
FONCTIONNEMENT DU LAVE-VAISSELLE			
Addition d'articles au cours d'un programme .....	23		
Annulation d'un programme .....	21		
Mise en marche .....	6		



# GARANTIE DU LAVE-VAISSELLE

DURÉE DE LA GARANTIE :	KITCHENAID PAIERA POUR :	KITCHENAID NE PAIERA PAS POUR :
<b>GARANTIE COMPLÈTE D'UNE ANNÉE À PARTIR DE LA DATE D'INSTALLATION</b>	Pièces de rechange et frais de main-d'oeuvre pour l'élimination des vices de matériau ou de fabrication. Les travaux doivent être exécutés par le personnel d'un établissement de service agréé KitchenAid.	<b>A. Visite de dépannage pour :</b> <ol style="list-style-type: none"> <li>1. Correction de l'installation du lave-vaisselle.</li> <li>2. Explications du fonctionnement du lave-vaisselle.</li> <li>3. Remplacement des fusibles ou correction du câblage de la maison.</li> <li>4. Correction du circuit de conduit de plomberie de la maison.</li> </ol>
<b>GARANTIE LIMITÉE DE LA SECONDE À LA CINQUIÈME ANNÉE À PARTIR DE LA DATE D'INSTALLATION</b>	Pièces de rechange pour le panier supérieur ou inférieur, si le panier rouille en cas de vice de matériau ou de fabrication.  Pièces de rechange pour le moteur d'un tiers HP en cas de vice de matériau ou de fabrication.  Pièces de rechange pour les pièces de commande électronique en cas de vice de matériau ou de fabrication.  Pièces de rechange pour l'élément chauffant en cas de vice de matériau ou de fabrication.	<b>B. Réparations</b> lorsque le lave-vaisselle est utilisé autrement que dans une application familiale. <b>C. Dommages</b> résultant d'accident, altération, mauvais usage, abus, incendie, inondation, actes naturels, installation inappropriée ou installation non conforme aux codes locaux d'électricité et de plomberie. <b>D. Tout frais</b> de main-d'oeuvre pendant la période de garantie limitée. <b>E. Le coût</b> des pièces de rechange et de la main-d'oeuvre pour les appareils utilisés en dehors du Canada ou États-Unis. <b>F. Frais</b> de transport de l'appareil. Ce produit est conçu pour qu'il soit réparable sur place. <b>G. Réparations</b> aux pièces ou systèmes résultant de modifications non autorisées exécutées à l'appareil. <b>H. Au Canada</b> , les frais de déplacement ou de transport pour les clients habitant dans des régions éloignées.
<b>GARANTIE VIE ENTIÈRE DEPUIS LA DATE D'INSTALLATION</b>	Pièces de rechange et frais de main-d'oeuvre pour la doublure de porte interne ou la cuve d'acier inoxydable en cas d'apparition de fuite d'eau par suite de rouille imputable à un vice de matériau ou de fabrication.	

9/97

**KITCHENAID ET KITCHENAID CANADA DÉCLINENT TOUTE RESPONSABILITÉ AU TITRE DE DOMMAGES SECONDAIRES OU INDIRECTS.** Certaines provinces n'admettent pas l'exclusion ou la limitation de dommages secondaires ou indirects. Par conséquent, cette exclusion ou limitation peut ne pas vous être applicable. Cette garantie vous confère des droits juridiques spécifiques; vous pouvez également jouir d'autres droits qui peuvent varier d'une province à l'autre ou d'un État à un autre.

**Hors des États-Unis ou du Canada, une garantie différente peut être applicable. Pour les détails, contacter le concessionnaire agréé KitchenAid.**

En cas de besoin d'assistance ou d'une intervention de service, consulter d'abord la section "Diagnostic" de cette brochure. Après avoir consulté la section "Diagnostic", on peut également trouver de l'aide dans la section "Demande d'assistance ou de service". Aux É.-U., contacter le centre d'assistance à la clientèle au **1-800-422-1230**. Au Canada, téléphoner à KitchenAid Canada en composant l'un des numéros de téléphone indiqués dans la section "Demande d'assistance ou de service".

KitchenAid  
Benton Harbor, MI 49022-2692 U.S.A.